

BHI260AP / BHI260AB

Shipment packaging details

BHI260AP / BHI260AB: Shipment packaging details

Document revision	1.1
Release date	January 2021
Document number	BST-BHI260-SP000-01
Sales part number(s)	BHI260AB: 0 273 141 367 BHI260AP: 0 273 141 368

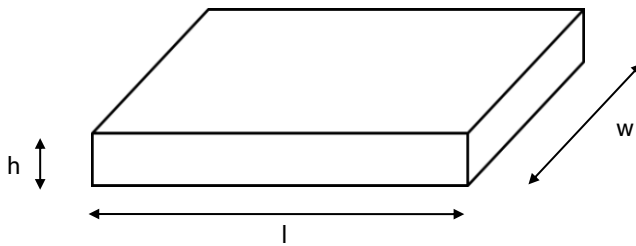
Notes Data in this document are subject to change without notice. Product photos and pictures are for illustration purposes only and may differ from the real product's appearance. The technical details and legal disclaimer of the respective product data sheet apply.

Index of Contents

1. Inner box



Table 1: Dimension of inner box



Inner box version	width (w)	length (l)	height (h)
1	~35cm	~35cm	~5cm

2. Outer box



2.1 Dimensions

The size of the outer box depends on delivered quantity

Table 2: Dimension and capacity of outer boxes

Carton Type	Capacity	Dimension
Carton 2	Up to 2 inner boxes	42*42*15 cm
Carton 5	Up to 5 inner boxes	42*42*28 cm
Carton 10	Up to 10 inner boxes	42*42*39 cm
Carton 15	Up to 15 inner boxes	42*42*68 cm

2.2 Weights

Table 3: Weights

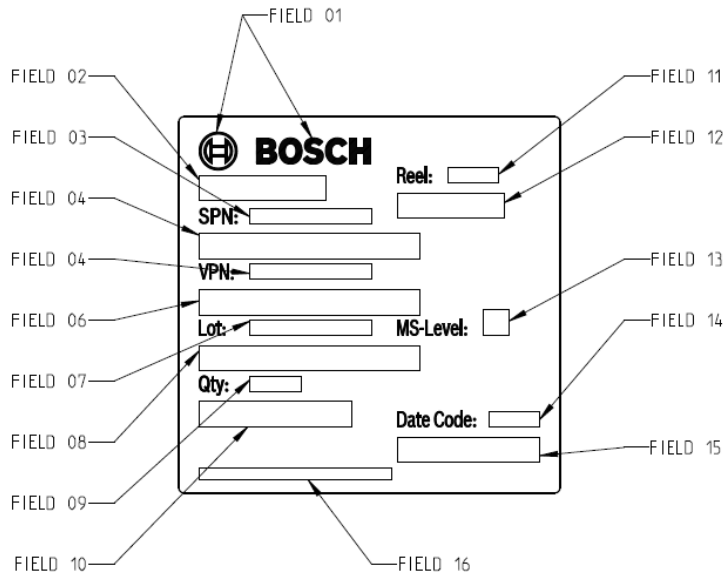
Weight [kg]* depending on reels in carton:	Carton 2	Carton 5	Carton 10	Carton 15
1 reel	1,4	1,6	1,6	2,0
2 reels	2,1	2,3	2,3	2,7
3 reels	-	3,0	3,0	3,4
4 reels	-	3,7	3,7	4,1
5 reels	-	4,4	4,4	4,8
6 reels	-	-	5,1	5,5
7 reels	-	-	5,8	6,2
8 reels	-	-	6,5	6,9

9 reels	-	-	7,2	7,6
10 reels	-	-	7,9	8,3
11 reels	-	-	-	9,0
12 reels	-	-	-	9,7
13 reels	-	-	-	10,4
14 reels	-	-	-	11,1
15 reels	-	-	-	11,8

*Note: Weights may vary slightly depending on product and inner box

3. Bar code labeling

3.1 Label design and fields



The dimension of the bar code label is approximately 72mm x 73mm (h x w).

Table 4: Label fields description

Field	Description	Format
01	Bosch symbol	
02	Part description	Text
03	Sales part number (SPN)	Text
04		Barcode
05	Bosch internal number (VPN)	Text
06		Barcode
07	Lot number	Text
08		Barcode
09	Quantity	Text
10		Barcode
11	Reel number	Text
12		Barcode
13	MS-level	Text
14	Date code	Text (yy/ww)
15		Barcode
16	CoO / Made in*	Text

* except for Taiwan: only Made in Taiwan, no CoO

Notes:

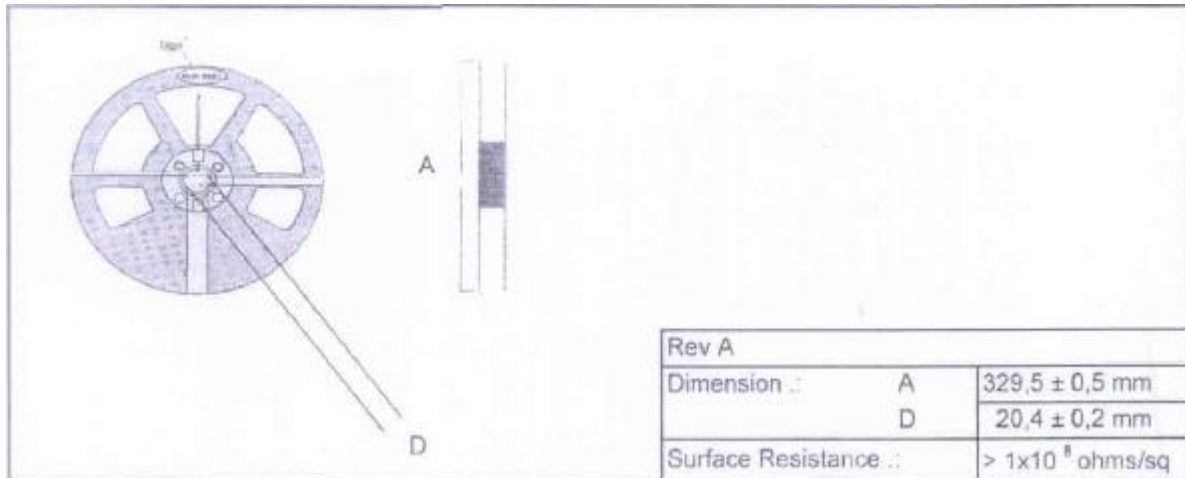
- ▶ The ink on the label is lead-free.
- ▶ Heat-pressure method for label is used.
- ▶ Bar code label is on reel and the inner box

3.2 Label example: BMA253



Note: The picture above is just an example.

4. Reel dimensions



- ▶ Reel size is 13"
- ▶ One reel contains 5000 parts

5. Document history and modification

Rev. No	Chapter	Description of modification/changes	Date
1.0	All	Document Creation	May 2018
1.1	All	Updated the notes on the title page.	Jan. 2021

Bosch Sensortec GmbH
Gerhard-Kindler-Straße 9
72770 Reutlingen / Germany

contact@bosch-sensortec.com
www.bosch-sensortec.com

Modifications reserved
Specifications subject to change without notice
Document number: BST-BHI260-SP000-01
Revision_1.1