

BME680, BME688

Shipment packaging details



BME68x - Shipment packaging details

Document revision	1.0
Document release date	April 2021
Document number	BST-BME68x-SP000-00
Technical reference code(s)	0 273 141 229, 0273 141 312, 0 273 017 016
Notes	Data and descriptions in this document are subject to change without notice. Product photos and pictures are for illustration purposes only and may differ from the real product appearance. The technical details and legal disclaimer of the respective product data sheet apply.

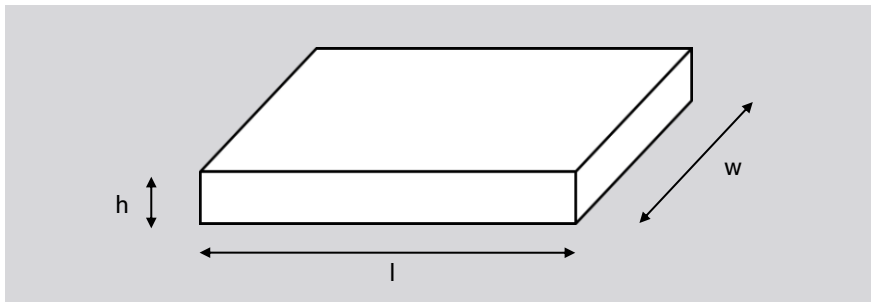
Table of contents

1. Inner box	3
2. Outer box	3
2.1 Dimensions.....	4
2.2 Weights	4
3. Bar code labeling	5
3.1 Label design and fields	5
3.2 Label example: BMA253	6
4. Reel dimensions.....	7
5. Document history and modification.....	8

1. Inner box



Dimensions of inner box



Inner box version	width (w)	length (l)	height (h)
1	~35cm	~35cm	~5cm

2. Outer box



2.1 Dimensions

The size of the outer box depends on delivered quantity

Carton Type	Capacity	Dimension
Carton 2	Up to 2 inner boxes	42*42*15 cm
Carton 5	Up to 5 inner boxes	42*42*28 cm
Carton 10	Up to 10 inner boxes	42*42*39 cm
Carton 15	Up to 15 inner boxes	42*42*68 cm

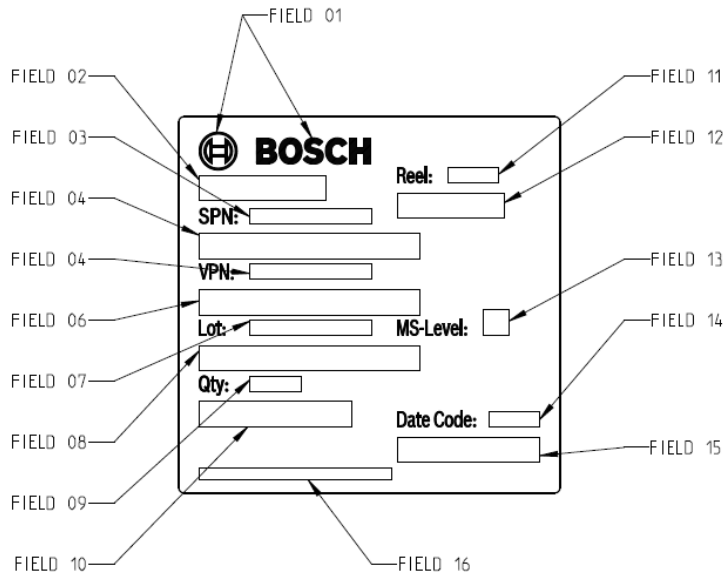
2.2 Weights

Weight [kg]* depending on reels in carton:	Carton 2	Carton 5	Carton 10	Carton 15
1 reel	1,4	1,6	1,6	2,0
2 reels	2,1	2,3	2,3	2,7
3 reels	-	3,0	3,0	3,4
4 reels	-	3,7	3,7	4,1
5 reels	-	4,4	4,4	4,8
6 reels	-	-	5,1	5,5
7 reels	-	-	5,8	6,2
8 reels	-	-	6,5	6,9
9 reels	-	-	7,2	7,6
10 reels	-	-	7,9	8,3
11 reels	-	-	-	9,0
12 reels	-	-	-	9,7
13 reels	-	-	-	10,4
14 reels	-	-	-	11,1
15 reels	-	-	-	11,8

*Note: Weights may vary slightly depending on product and inner box

3. Bar code labeling

3.1 Label design and fields



The dimension of the bar code label is approximately 72mm x 73mm (h x w).

Field	Description	Format
01	Bosch Symbol	
02	Part description	Text
03	Sales Part number (SPN)	Text
04		Barcode
05	Bosch internal number (VPN)	Text
06		Barcode
07	Lot Number	Text
08		Barcode
09	Quantity	Text
10		Barcode
11	Reel number	Text
12		Barcode
13	MS-Level	Text
14	Date Code	Text (yy/ww)
15		Barcode
16	CoO / Made in*	Text

* except for Taiwan: only Made in Taiwan, no CoO

Notes:

- ▶ The ink on the label is lead-free.
- ▶ Heat-pressure method for label is used.

- ▶ Bar code label is on reel and the inner box

3.2 Label example: BMA253



4. Reel dimensions

REVISIONS			
REV	DESCRIPTION	DATE	INT
2	Add Tolerances for CD	04/09/2007	Norme
3	Add dimensions for RL, LA, Ls, Material, thickness, hole and slot widths	04/09/2007	Norme
4	Move drawing lengths and add material (2.0457, part 3) notes	02/09/2010	RJM
5	Revise W1 and W2 dimensions	11/09/2010	RJM
6	Revised 15. Packet Number to align drawing of values	02/14/2012	NSJ

Part Number	Flange Combination	Normal Hole Width	W1	W2	MAX
FC33000WFL-RL	FC33000WFL-RL-FC33000WFL-RL	8mm	8.0mm +/-1.7/0.4	14.4mm	
FC33015WFL-RL	FC33000WFL-RL-FC33000WFL-RL	15mm	12.0mm +/-1.7/0.4	18.4mm	
FC33030WFL-RL	FC33000WFL-RL-FC33000WFL-RL	30mm	18.0mm +/-1.7/0.4	24.4mm	
FC33045WFL-RL	FC33000WFL-RL-FC33000WFL-RL	45mm	24.0mm +/-1.7/0.4	30.4mm	
FC33060WFL-RL	FC33000WFL-RL-FC33000WFL-RL	60mm	30.0mm +/-1.7/0.4	36.4mm	
FC33075WFL-RL	FC33000WFL-RL-FC33000WFL-RL	75mm	36.0mm +/-1.7/0.4	42.4mm	
FC33090WFL-RL	FC33000WFL-RL-FC33000WFL-RL	90mm	42.0mm +/-1.7/0.4	48.4mm	
FC33120WFL-RL	FC33000WFL-RL-FC33000WFL-RL	120mm	48.0mm +/-1.7/0.4	54.4mm	
FC33150WFL-RL	FC33000WFL-RL-FC33000WFL-RL	150mm	54.0mm +/-1.7/0.4	60.4mm	
FC33180WFL-RL	FC33000WFL-RL-FC33000WFL-RL	180mm	60.0mm +/-1.7/0.4	66.4mm	
FC33210WFL-RL	FC33000WFL-RL-FC33000WFL-RL	210mm	66.0mm +/-1.7/0.4	72.4mm	
FC33240WFL-RL	FC33000WFL-RL-FC33000WFL-RL	240mm	72.0mm +/-1.7/0.4	78.4mm	
FC33270WFL-RL	FC33000WFL-RL-FC33000WFL-RL	270mm	78.0mm +/-1.7/0.4	84.4mm	
FC33300WFL-RL	FC33000WFL-RL-FC33000WFL-RL	300mm	84.0mm +/-1.7/0.4	90.4mm	
FC33330WFL-RL	FC33000WFL-RL-FC33000WFL-RL	330mm	90.0mm +/-1.7/0.4	96.4mm	
FC33360WFL-RL	FC33000WFL-RL-FC33000WFL-RL	360mm	96.0mm +/-1.7/0.4	102.4mm	
FC33390WFL-RL	FC33000WFL-RL-FC33000WFL-RL	390mm	102.0mm +/-1.7/0.4	108.4mm	
FC33420WFL-RL	FC33000WFL-RL-FC33000WFL-RL	420mm	108.0mm +/-1.7/0.4	114.4mm	
FC33450WFL-RL	FC33000WFL-RL-FC33000WFL-RL	450mm	114.0mm +/-1.7/0.4	120.4mm	
FC33480WFL-RL	FC33000WFL-RL-FC33000WFL-RL	480mm	120.0mm +/-1.7/0.4	126.4mm	
FC33510WFL-RL	FC33000WFL-RL-FC33000WFL-RL	510mm	126.0mm +/-1.7/0.4	132.4mm	
FC33540WFL-RL	FC33000WFL-RL-FC33000WFL-RL	540mm	132.0mm +/-1.7/0.4	138.4mm	
FC33570WFL-RL	FC33000WFL-RL-FC33000WFL-RL	570mm	138.0mm +/-1.7/0.4	144.4mm	
FC33600WFL-RL	FC33000WFL-RL-FC33000WFL-RL	600mm	144.0mm +/-1.7/0.4	150.4mm	

Notes:
 1 RB: Ragnrd Blue Lohrel
 2 RBK: Ragnrd Black Lohrel
 3 RC: Conductive Lohrel
 4 SW: White Lohrel
 5 BL: Blue Lohrel
 6 RD: Series Lohrel: BR<1 x 10 Exp 12 ohm/1q
 7 RC Series Lohrel: BR<1 x 10 Exp 0 ohm/1q

PS Recycle Logo

Advantek 4" Hub LOKREEL PRO - ASSEMBLED

Symbol	Value
A0	3.30 +/- 0.1
B0	3.30 +/- 0.1
K0	1.10 +/- 0.1
F	5.50 +/- 0.1
P1	8.00 +/- 0.1
W	12.00 +/- 0.3

(I) Measured from centreline of sprocket hole to centreline of pocket.
 (II) Cumulative tolerance of 10 sprocket holes is ± 0.20.
 (III) Measured from centreline of sprocket hole to centreline of pocket.
 (IV) Other material available.
 (V) Typical SR value 10¹⁰ to 10¹¹ Ohm/cm²
 ALL DIMENSIONS IN MILLIMETRES UNLESS OTHERWISE STATED.

- Reel size is 13".
- 1 reel contains 6,000 parts

5. Document history and modification

Rev. No	Chapter	Description of modification/changes	Date
1.0		Document creation	May 2021

Bosch Sensortec GmbH
Gerhard-Kindler-Straße 9
72770 Reutlingen / Germany

contact@bosch-sensortec.com
www.bosch-sensortec.com

Modifications reserved
Specifications subject to change without notice
Document number: BST-BME68x-SP000-00
Revision_1.0