

BMP5xy

Shipment and Packaging Details

BMP5xy - Shipment and Packaging Details

Document revision	1.2
Document release date	February 2025, valid from July 2025 onwards
Document number	BST-BMP5xy-SP000-02
Sales Part Number(s)	0 273 017 024 (BMP580), 0 273 017 025 (BMP581)
Notes	Data and descriptions in this document are subject to change without notice. Product photos and pictures are for illustration purposes only and may differ from the real product appearance. The technical details and legal disclaimer of the respective product data sheet apply.

Table of Contents

1 Inner box	3
2 Outer Box	4
2.1 Dimensions	4
2.2 Weights	5
3 Bar Code labeling	6
3.1 Label design and fields	6
3.2 Label example: BMA253	7
4 Reel dimensions	7
5 Document history and modification	9

1 Inner box



Picture 1: P1 box with reel (for MSL 1 products)

Table 1: Dimension of inner box

Box	SPN	Width (w)	Length (l)	Height (h)	Level
P1	0 273 017 024 0 273 017 025	~37cm	~35cm	~4cm	MSL 1

2 Outer Box



2.1 Dimensions

The size of the outer box depends on delivered quantity.

Table 2: Dimension and capacity of outer boxes

Carton Type	Capacity for P1 box	Dimension
Carton 2	Up to 3 inner boxes	42*42*15 cm
Carton 5	Up to 6 inner boxes	42*42*28 cm
Carton 10	Up to 11 inner boxes	42*42*39 cm
Carton 15	Up to 15 inner boxes	42*42*68 cm

2.2 Weights

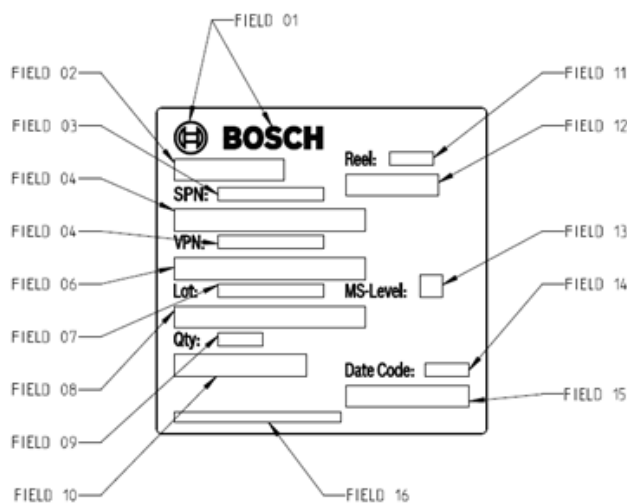
Table 3: Weights P1 box

Weight [kg]* depending on reels in carton:	Carton 2	Carton 5	Carton 10	Carton 15
1 reel	1.4	1.5	1.5	2.3
2 reels	1.9	2.0	2.1	2.8
3 reels	2.5	2.6	2.6	3.4
4 reels	-	3.1	3.2	3.9
5 reels	-	3.7	3.7	4.5
6 reels	-	4.2	4.3	5
7 reels	-	-	4.8	5.6
8 reels	-	-	5.4	6.1
9 reels	-	-	5.9	6.7
10 reels	-	-	6.5	7.2
11 reels	-	-	7.0	7.8
12 reels	-	-	-	8.3
13 reels	-	-	-	8.9
14 reels	-	-	-	9.4
15 reels	-	-	-	10.0

* Weights may vary slightly depending on product and inner box

3 Bar Code labeling

3.1 Label design and fields



The dimension of the bar code label is approximately 72mm x 73mm (h x w).

Notes:

- The ink on the label is lead-free.
- Heat-pressure method for label is used.
- Bar code label is on reel and the inner box

Table 4: Label fields description

Field	Description	Format
01	Bosch Symbol	Image
02	Part description	Text
03	Sales Part Number (SPN)	Text
04		Barcode
05	Bosch internal number (VPN)	Text
06		Barcode
07	Lot Number	Text
08		Barcode
09	Quantity	Text
10		Barcode
11	Reel number	Text
12		Barcode
13	MS-Level	Text
14	Date Code	Text (yy/ww)
15		Barcode
16	CoO / Made in*	Text

* except for Taiwan: only Made in Taiwan, no CoO

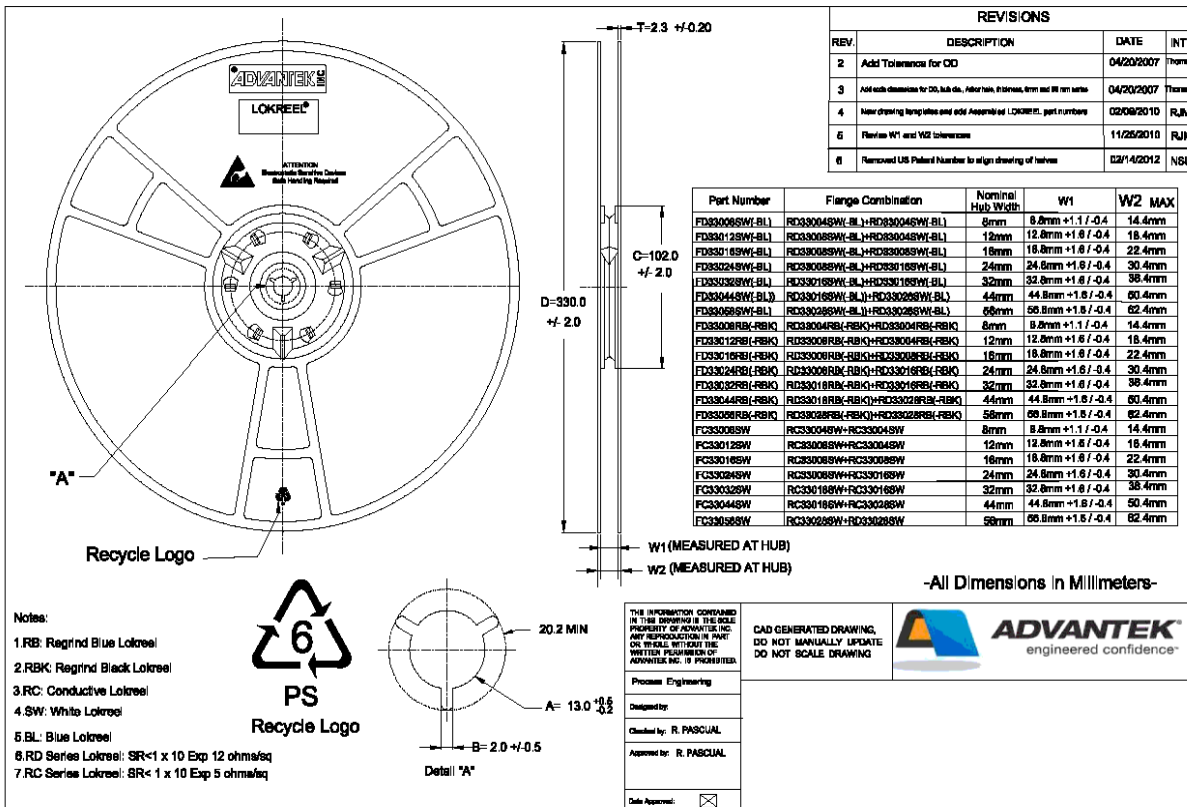
3.2 Label example: BMA253



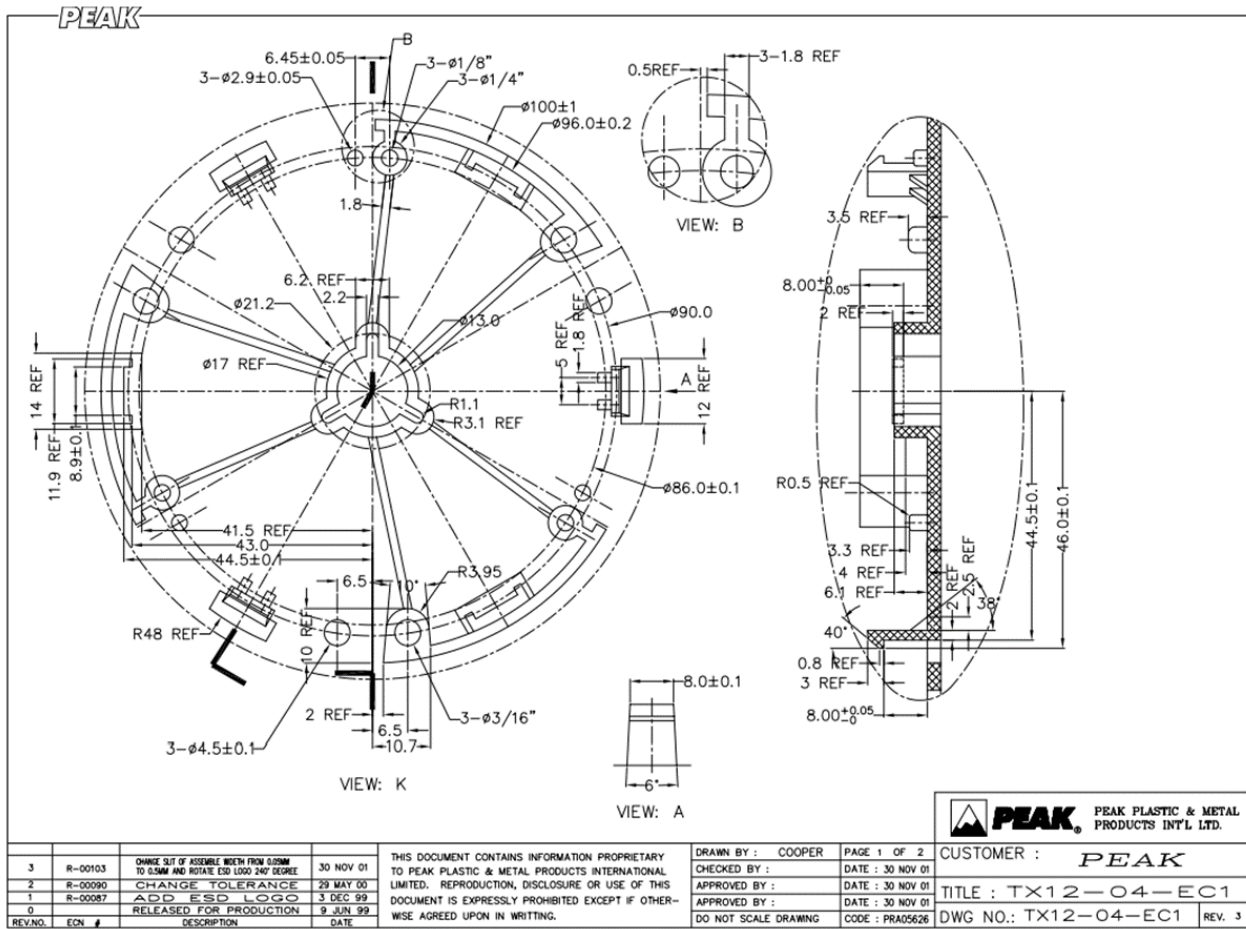
4 Reel dimensions

- The reel size is 13"
- 1 reel contains 10,000 parts

Option 1



Option 2



REV. NO.	ECN #	DESCRIPTION	DATE
3	R-00103	CHANGE SLIT OF ASSEMBLY WIDTH FROM 0.20MM TO 0.30MM AND ROTATE ESD LOGO 240 DEGREE	30 NOV 01
2	R-00090	CHANGE TOLERANCE	29 MAY 00
1	R-00087	ADD ESD LOGO	3 DEC 99
0		RELEASED FOR PRODUCTION	9 JUN 99

THIS DOCUMENT CONTAINS INFORMATION PROPRIETARY TO PEAK PLASTIC & METAL PRODUCTS INTERNATIONAL LIMITED. REPRODUCTION, DISCLOSURE OR USE OF THIS DOCUMENT IS EXPRESSLY PROHIBITED EXCEPT IF OTHERWISE AGREED UPON IN WRITING.

DRAWN BY : COOPER
 CHECKED BY :
 APPROVED BY :
 DO NOT SCALE DRAWING

PAGE 1 OF 2
 DATE : 30 NOV 01
 DATE : 30 NOV 01
 DATE : 30 NOV 01
 CODE : PRA05626

CUSTOMER : **PEAK**
 TITLE : TX12-04-EC1
 DWG NO. : TX12-04-EC1 REV. 3

5 Document history and modification

Rev. No	Chapter	Description of modification/changes	Date
1.0	all	Initial release	July 2021
1.1	5	Updated disclaimer	May 2022
1.2	All	Minor changes to overall design.	February 2025
	1	New inner box dimensions	
	2	New capacities and weights	
	-	Disclaimer removed and a reference added to the note in the first page	

Bosch Sensortec GmbH

Gerhard-Kindler-Straße 9
72770 Reutlingen / Germany

contact@bosch-sensortec.com
www.bosch-sensortec.com

Modifications reserved
Document number: BST-BMP5xy-SP000-02