

# Inertial Measurement Units (BMIxyz)

## Shipment Packaging Details

### Shipment Packaging Details for BMI0xy, BMI1xy, BMI2xy, BMI3xy

Document revision	1.3
Document release date	April 2022
Document number	BST-MIS-SP001-03
Sales Part Numbers (SPNs)	0273141134 0273141221 0273141366 0273141365 0273141187 0273017000 0273017001 0273017008 0273017018 0273017010 0273017028
Notes	Data and descriptions in this document are subject to change without notice. Product photos and pictures are for illustration purposes only and may differ from the real product appearance. The technical details and legal disclaimer of the respective product data sheet apply.

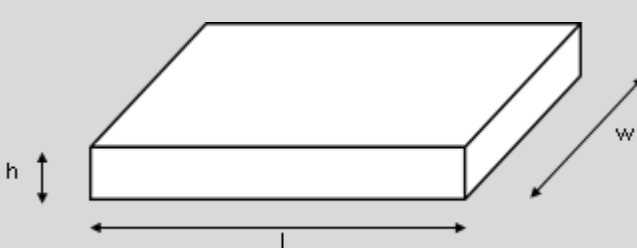
## Table of Contents

<b>Table of Contents .....</b>	<b>2</b>
<b>1 Inner box .....</b>	<b>3</b>
<b>2 Outer Box .....</b>	<b>4</b>
2.1 Dimensions.....	4
2.2 Weights.....	4
<b>3 Bar Code labeling.....</b>	<b>5</b>
3.1 Label design and fields.....	5
3.2 Label example: BMI270.....	6
<b>4 Reel dimensions.....</b>	<b>6</b>
<b>5 Document history and modification.....</b>	<b>7</b>

# 1 Inner box

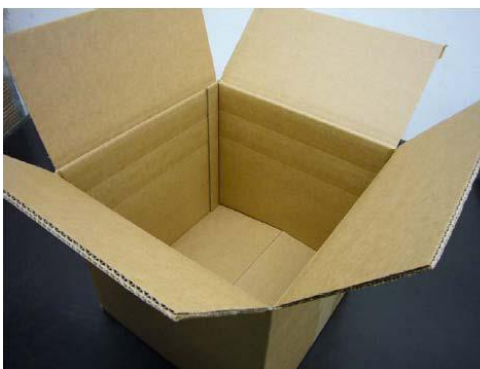


Table 1 : Dimension of inner box



SPNs	Width (w)	Length (l)	Height (h)
See page 1	~35cm	~35cm	~5cm
0273141187			~3.5 up to ~5cm
0273017018 0273017028			

## 2 Outer Box



### 2.1 Dimensions

The size of the outer box depends on delivered quantity

Table 2 : Dimension and capacity of outer boxes

Carton Type	Capacity	Dimension (cm)
Carton 2	Up to 2 inner boxes	42 x 42 x 15
Carton 5	Up to 5 inner boxes	42 x 42 x 28
Carton 10	Up to 10 inner boxes	42 x 42 x 39
Carton 15	Up to 15 inner boxes	42 x 42 x 68

### 2.2 Weights

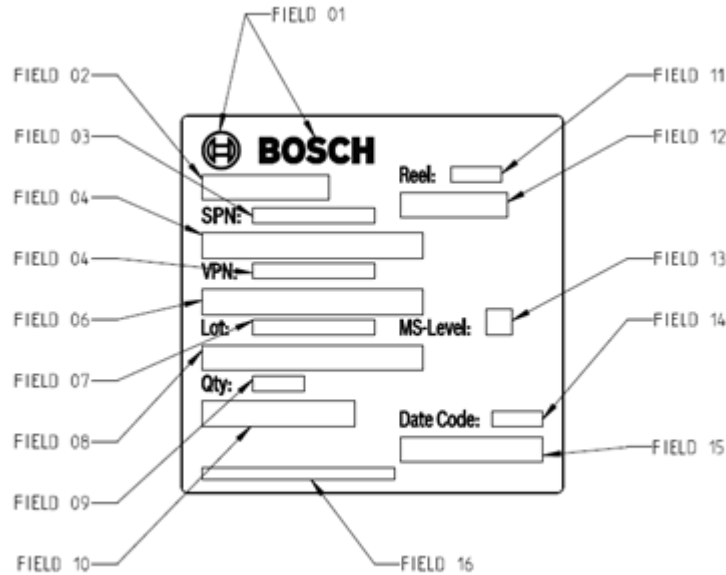
Table 3 : Weights

Weight [kg]* depending on reels in carton:	Carton 2	Carton 5	Carton 10	Carton 15
1 reel	1.4	1.6	1.6	2.0
2 reels	2.1	2.3	2.3	2.7
3 reels	-	3.0	3.0	3.4
4 reels	-	3.7	3.7	4.1
5 reels	-	4.4	4.4	4.8
6 reels	-	-	5.1	5.5
7 reels	-	-	5.8	6.2
8 reels	-	-	6.5	6.9
9 reels	-	-	7.2	7.6
10 reels	-	-	7.9	8.3
11 reels	-	-	-	9.0
12 reels	-	-	-	9.7
13 reels	-	-	-	10.4
14 reels	-	-	-	11.1
15 reels	-	-	-	11.8

\* Weights may vary slightly depending on product and inner box

### 3 Bar Code labeling

#### 3.1 Label design and fields



The dimension of the bar code label is approximately 72mm x 73mm (h x w).

Table 4 : Label fields description

Field	Description	Format
01	Bosch Symbol	
02	Part description	Text
03	Sales Part Number (SPN)	Text
04		Barcode
05	Bosch internal number (VPN)	Text
06		Barcode
07	Lot Number	Text
08		Barcode
09	Quantity	Text
10		Barcode
11	Reel number	Text
12		Barcode
13	MS-Level	Text
14	Date Code	Text (yy/ww)
15		Barcode
16	CoO / Made in*	Text

\* except for Taiwan: only Made in Taiwan, no CoO

Notes:

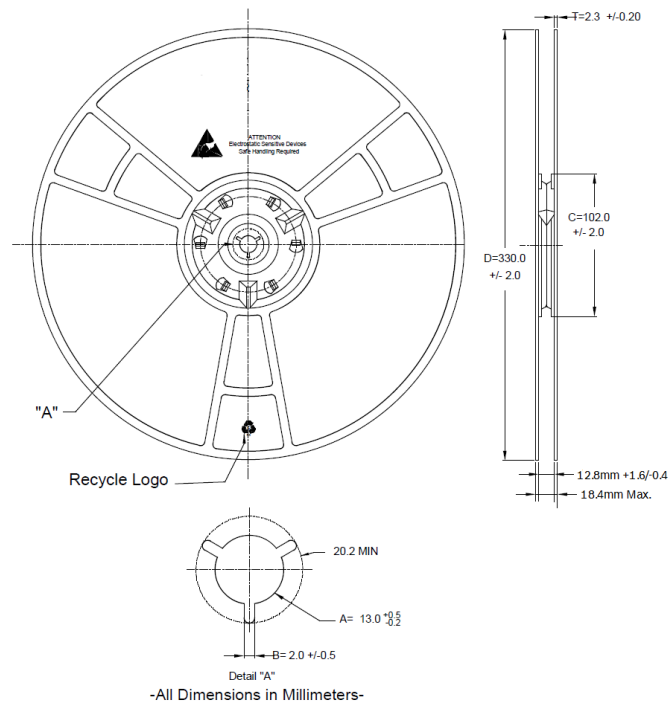
- ▶ The ink on the label is lead-free.
- ▶ Heat-pressure method for label is used.
- ▶ Bar code label is on reel and the inner box

### 3.2 Label example: BMI270



## 4 Reel dimensions

- ▶ The reel size is 13"
- ▶ 1 reel contains 5,000 parts



## 5 Document history and modification

Rev. No	Chapter	Description of modification/changes	Date
1.0	All	Initial release	June 2019
1.1	Cover Page 1	SPN adjusted SPN adjusted	January 2020
1.2	Cover Page 1 5	SPN adjusted SPN adjusted Disclaimer update	December 2020
1.3	Cover Page All 1 3.2	SPN adjusted Disclaimer deleted, reference to datasheet on cover page SPN adjusted New picture	April 2022

**Bosch Sensortec GmbH**  
Gerhard-Kindler-Straße 9  
72770 Reutlingen / Germany

[contact@bosch-sensortec.com](mailto:contact@bosch-sensortec.com)  
[www.bosch-sensortec.com](http://www.bosch-sensortec.com)

Modifications reserved  
Document number: BST-MIS-SP001-03