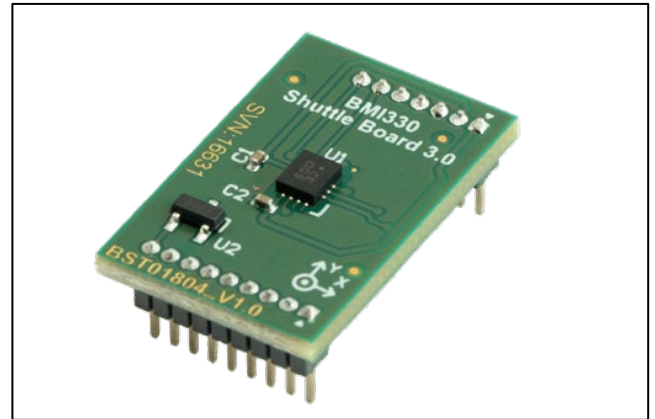




BMI330 Shuttle board 3.0 flyer

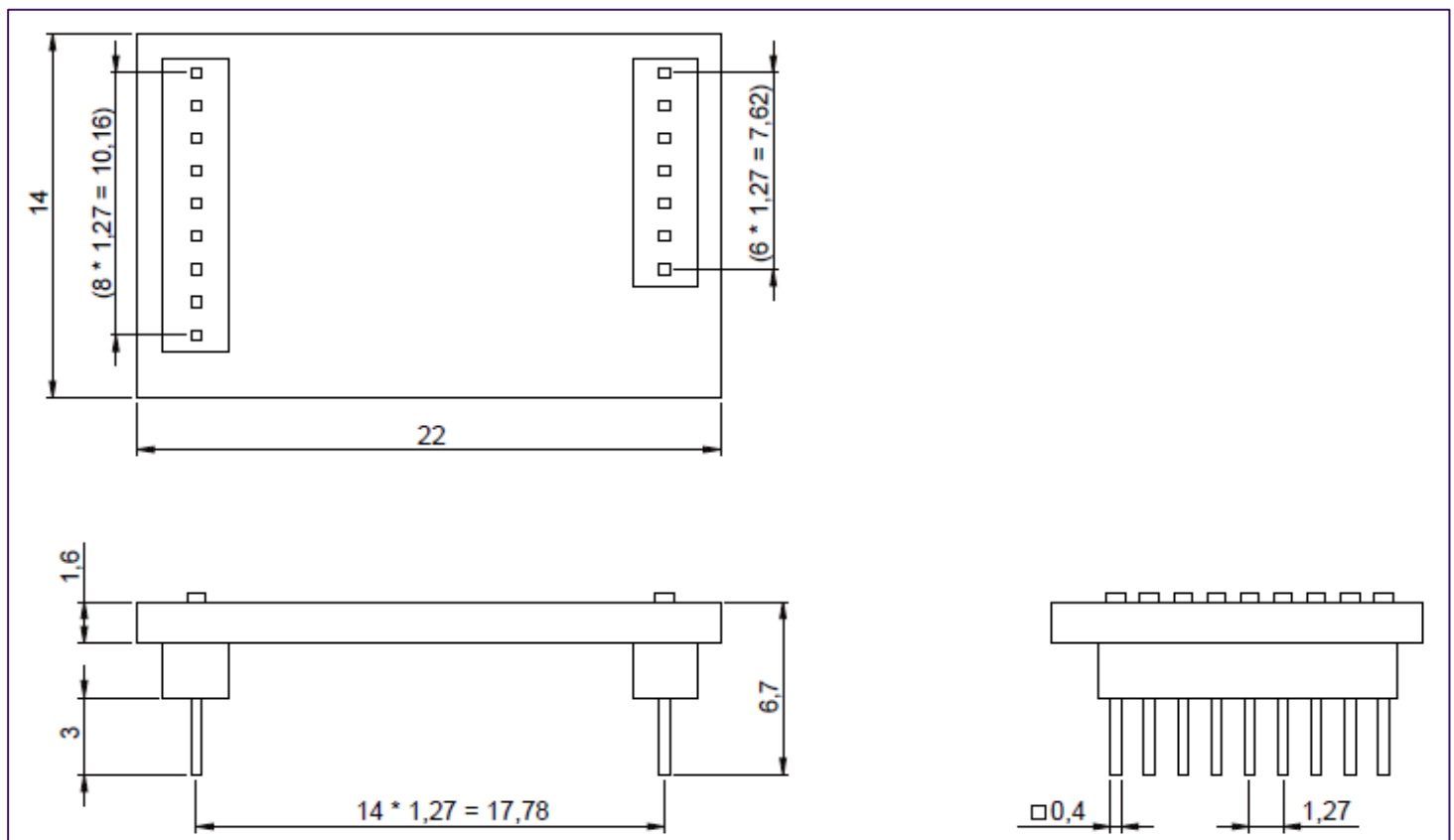
1 General description

The Bosch Sensortec BMI330 shuttle board 3.0 is a PCB with the inertial measurement unit BMI330 mounted on it. In combination with the Application Board 3.x, the shuttle board can be used to evaluate various functionalities provided on BMI330. The shuttle board allows easy access to the sensor pins via a simple socket and can be directly plugged into the Bosch Sensortec Application Board 3.x.



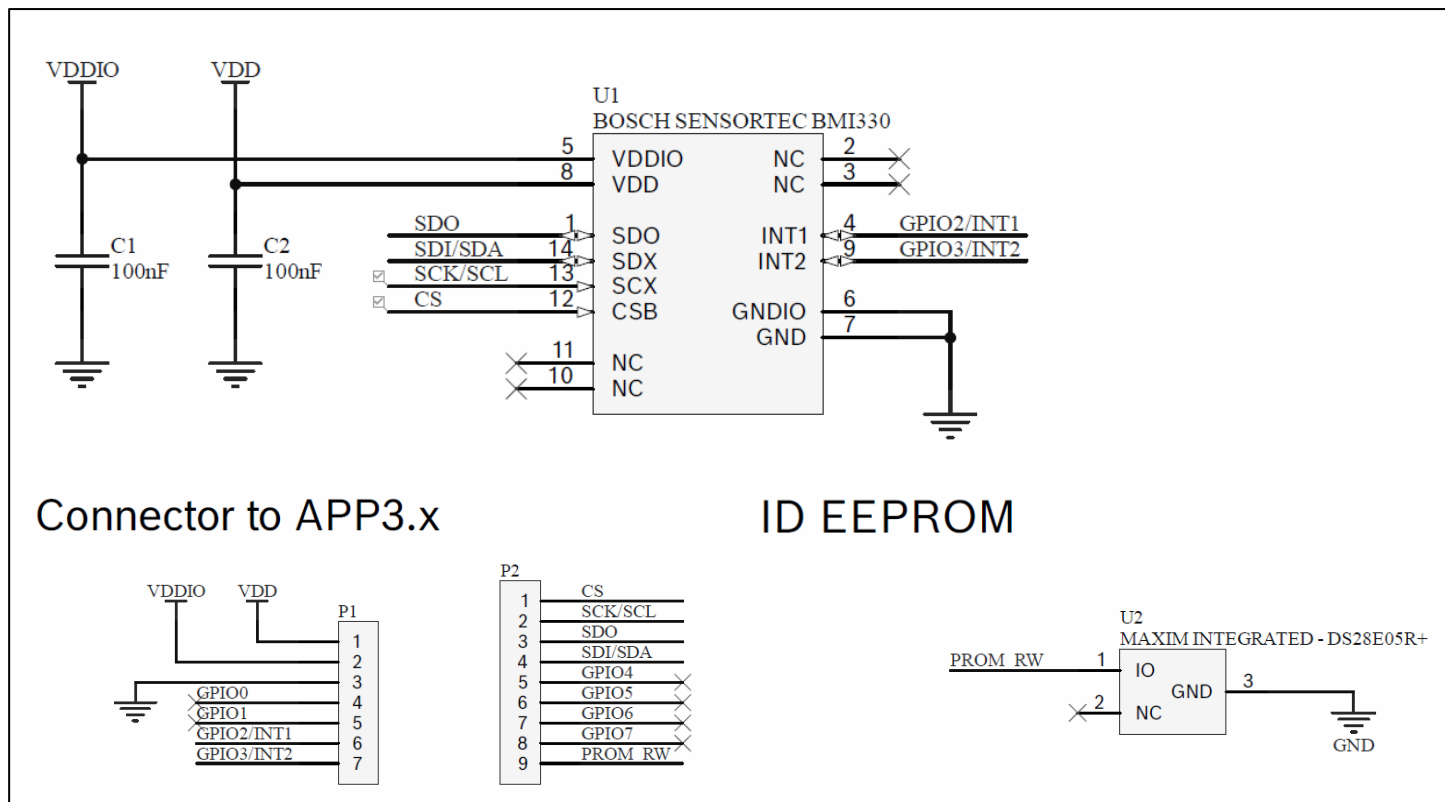
BMI330 Shuttle board 3.0

Note: Product photo may differ from real product's appearance



Shuttle board outline dimension

All dimensions in mm



Electrical layout

2 Designator P1 shuttle board connector

Pin	Pin name	Description
1	VDD	Analog power supply voltage (1.71V --- 3.63V)
2	VDDIO	Digital I/O power supply voltage (1.08V --- 3.63V)
3	GND	Ground
4	GPIO0	NC
5	GPIO1	NC
6	GPIO2/INT1	Interrupt pin 1
7	GPIO3/INT2	Interrupt pin 2

Shuttle board identification:

- Sales Part Number: 0440 SB2 061
- Shuttle ID: 0x1F8
- Shuttle board identifier: BST01804

3 Designator P2 shuttle board connector

Pin	Pin name	Description
1	CS	Chip selection pin of SPI bus
2	SCK/SCL	Clock pin of SPI bus / clock pin of I2C bus
3	SDO	Sensor Data Out pin of SPI bus
4	SDI/SDA	Serial Data In pin of SPI bus / data pin of I2C bus
5	GPIO4	NC
6	GPIO5	NC
7	GPIO6	NC
8	GPIO7	NC
9	PROM_RW	Connect to EEPROM

Headquarters
Bosch Sensortec GmbH

Gerhard-Kindler-Strasse 9
 72770 Reutlingen · Germany
 Telephone +49 7121 3535 900
 Fax +49 7121 3535 909

www.bosch-sensortec.com