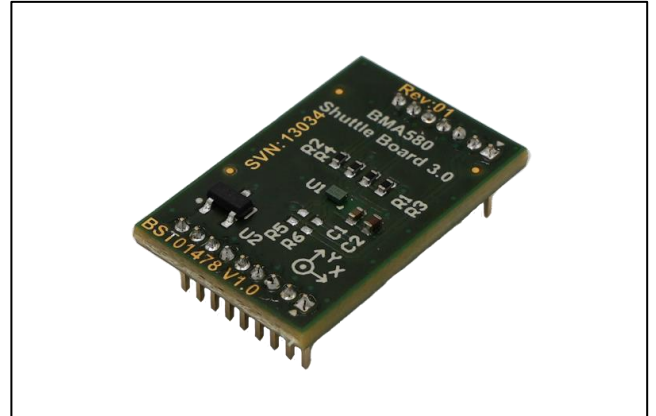


# BMA580

## Shuttle board 3.0 flyer

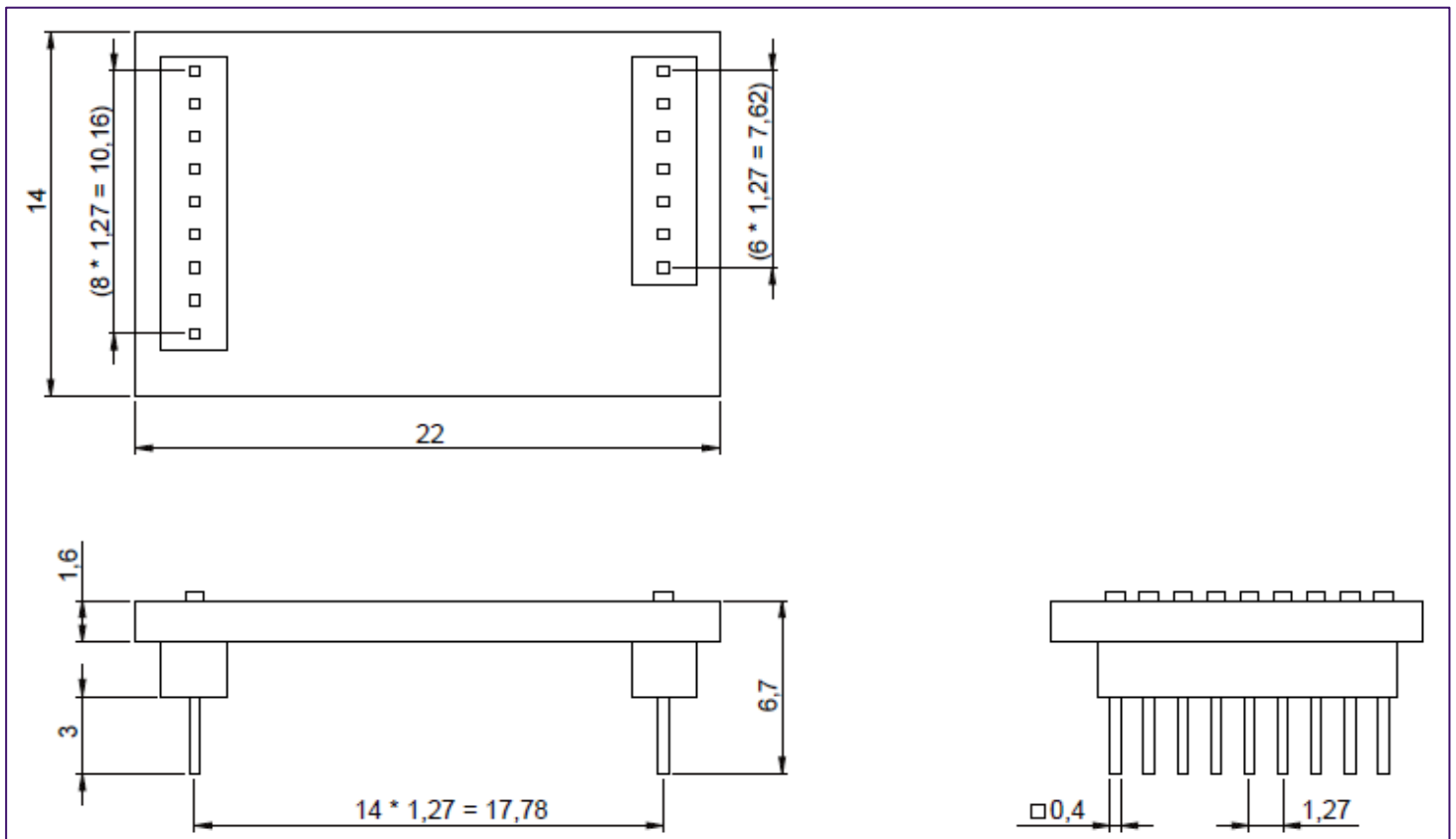
### 1 General description

The Bosch Sensortec BMA580 shuttle board 3.0 is a PCB with the acceleration sensor BMA580 mounted on it. In combination with the application board 3.x, the shuttle board can be used to evaluate various functionalities provided on BMA580. The shuttle board allows easy access to the sensor pins via a simple socket and can be directly plugged into the Bosch Sensortec application board 3.x.



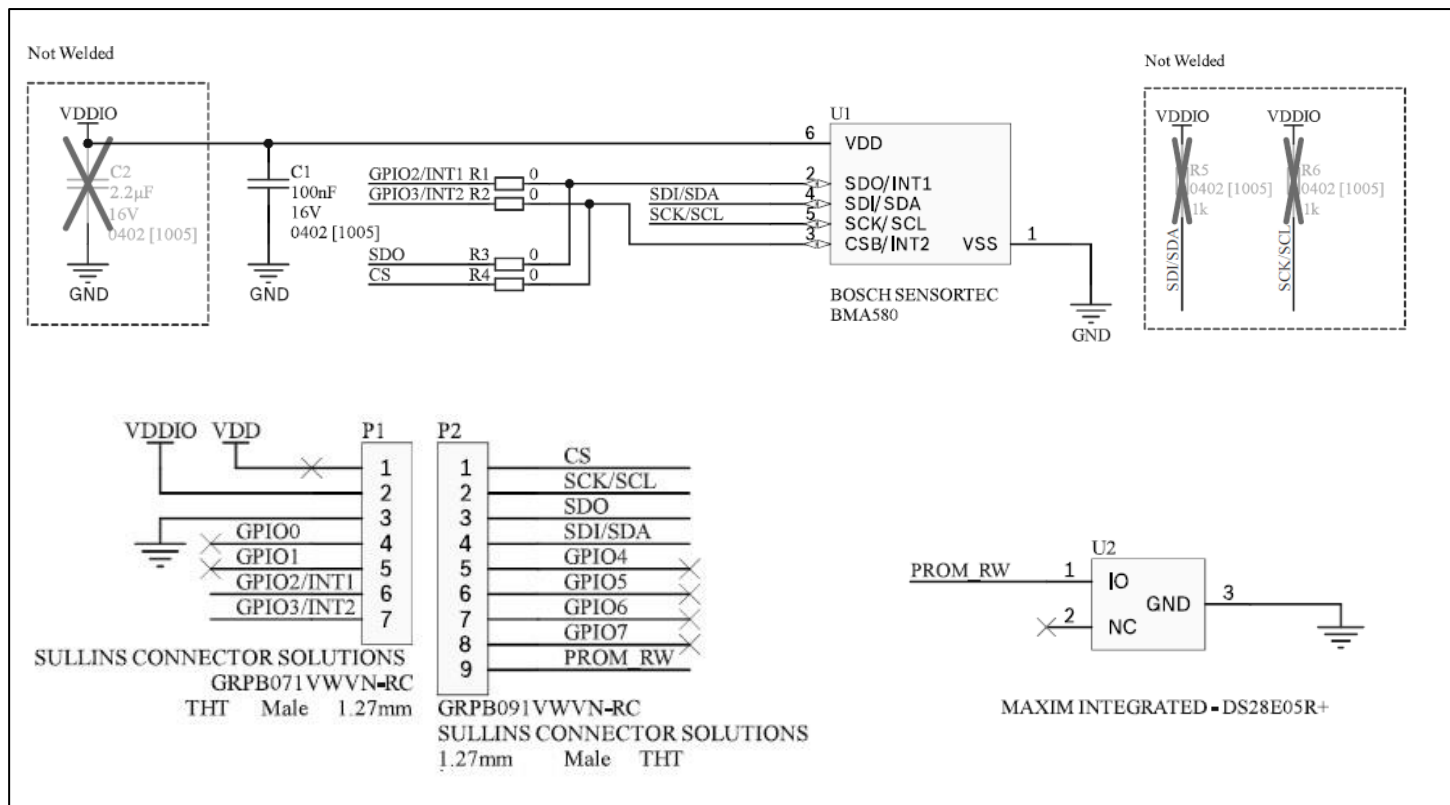
**BMA580 Shuttle board 3.0**

Note: Product photo may differ from real product's appearance



#### Shuttle board outline dimension

All dimensions in mm



Electrical layout

## 2 Designator P1 shuttle board connector

Pin	Pin name	Description
1	VDD	Power supply for digital and analog domain
2	VDDIO	Power supply for input and output domain
3	GND	Ground
4	GPIO0	Not Connected
5	GPIO1	Not Connected
6	GPIO2/INT1	General Purpose Input Output / Interrupt pin 1
7	GPIO3/INT2	General Purpose Input Output / Interrupt pin 2

Shuttle board identification:

- Shuttle board EEPROM ID: 0b010011101
- Shuttle board ID: BST01478 V1.0
- Chip ID: 0xC4

## 3 Designator P2 shuttle board connector

Pin	Pin name	Description
1	CS	Chip selection pin of SPI bus
2	SCK/SCL	Series clock pin of both SPI and I2C/I3C bus
3	SDO	Master-input-slave-output pin of SPI bus; Series data output of I2C/I3C bus
4	SDI/SDA	Master-output-slave-input pin of SPI bus; Series data input / series data pin of I2C/I3C bus
5	GPIO4	Not Connected
6	GPIO5	Not Connected
7	GPIO6	Not Connected
8	GPIO7	Not Connected
9	PROM_RW	Connect to EEPROM

**Headquarters**  
**Bosch Sensortec GmbH**

Gerhard-Kindler-Strasse 9  
 72770 Reutlingen · Germany  
 Telephone +49 7121 3535 900  
 Fax +49 7121 3535 909

[www.bosch-sensortec.com](http://www.bosch-sensortec.com)