

# BMP581

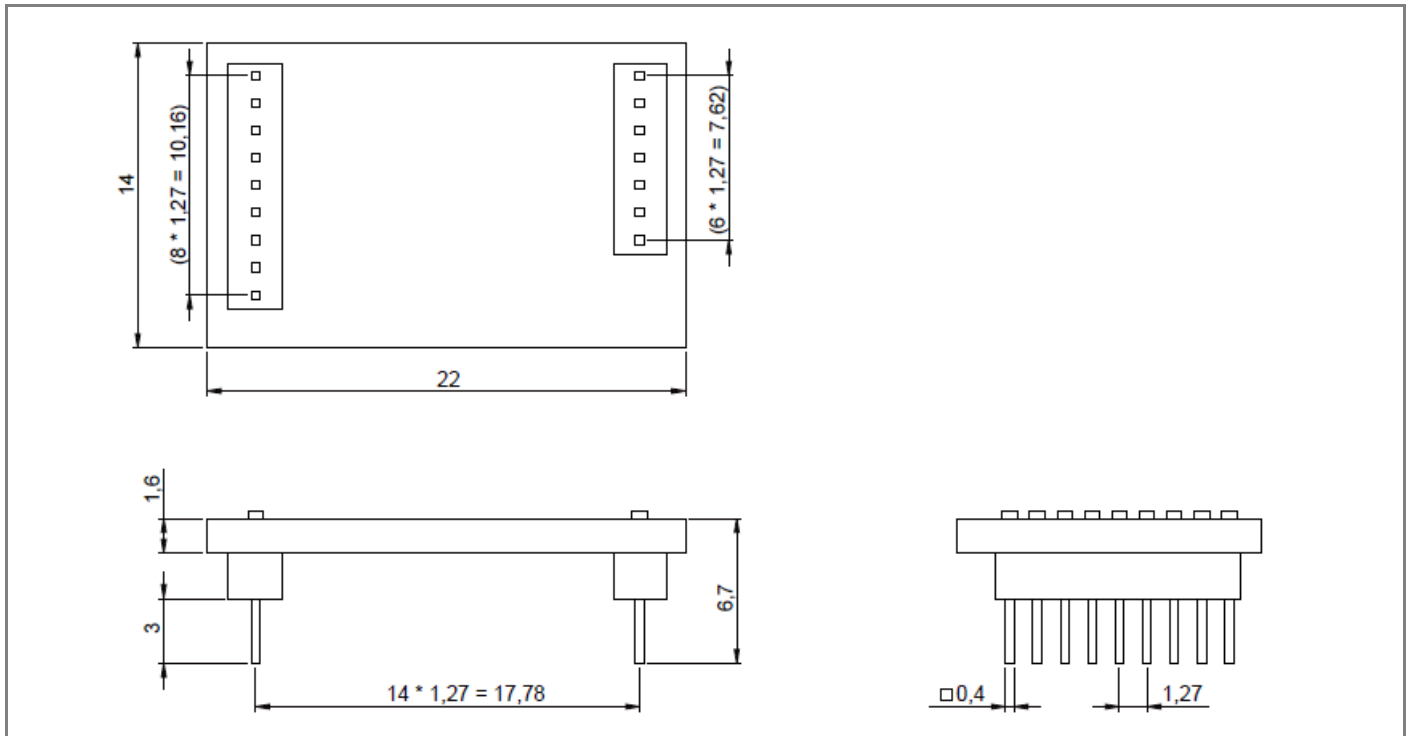
## Shuttle board 3.0 flyer

### GENERAL DESCRIPTION

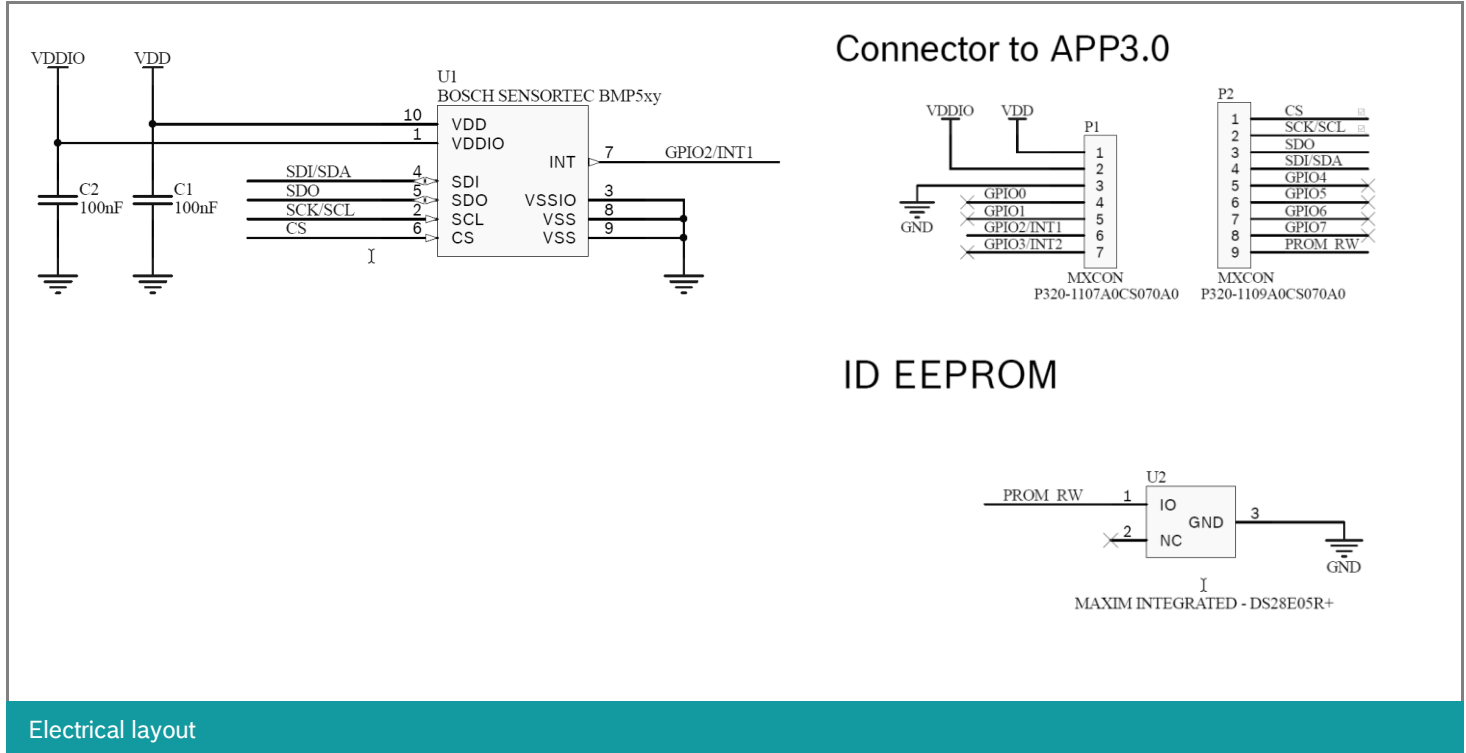
The Bosch Sensortec BMP581 shuttle board 3.0 is a PCB with the absolute barometric pressure sensor BMP581 mounted on it. In combination with the application board 3.0, the shuttle board can be used to evaluate various functionalities provided on BMP58x. The shuttle board allows easy access to the sensor pins via a simple socket and can be directly plugged into the Bosch Sensortec's application board 3.0.



Note: Product photo may differ from real product's appearance



Shuttle board outline dimensions (all dimensions in mm)



**DESIGNATOR P1 SHUTTLE BOARD CONNECTOR**

| Pin | Pin name   | Description     |
|-----|------------|-----------------|
| 1   | VDD        | Power supply    |
| 2   | VDDIO      | Power supply    |
| 3   | GND        | Ground          |
| 4   | GPIO0      | NC              |
| 5   | GPIO1      | NC              |
| 6   | GPIO2/INT1 | Interrupt pin 1 |
| 7   | GPIO3/INT2 | NC              |

Shuttle board identification:

- ▶ Shuttle ID: 0x1B3
- ▶ Shuttle board identifier: BST01139

**DESIGNATOR P2 SHUTTLE BOARD CONNECTOR**

| Pin | Pin name | Description   |
|-----|----------|---|
| 1   | CS       | Chip selection pin of SPI bus                                       |
| 2   | SCK/SCL  | Clock pin of both SPI and I2C bus                                   |
| 3   | SDO      | Master-input-slave-output data pin of SPI bus                       |
| 4   | SDI/SDA  | Master-output-slave-input data pin of SPI bus / data pin of I2C bus |
| 5   | GPIO4    | NC  |
| 6   | GPIO5    | NC  |
| 7   | GPIO6    | NC  |
| 8   | GPIO7    | NC  |
| 9   | PROM_RW  | Connect to EEPROM   |

**Headquarters  
Bosch Sensortec GmbH**

Gerhard-Kindler-Strasse 9  
72770 Reutlingen · Germany  
Telephone +49 7121 3535 900  
Fax +49 7121 3535 909

[www.bosch-sensortec.com](http://www.bosch-sensortec.com)