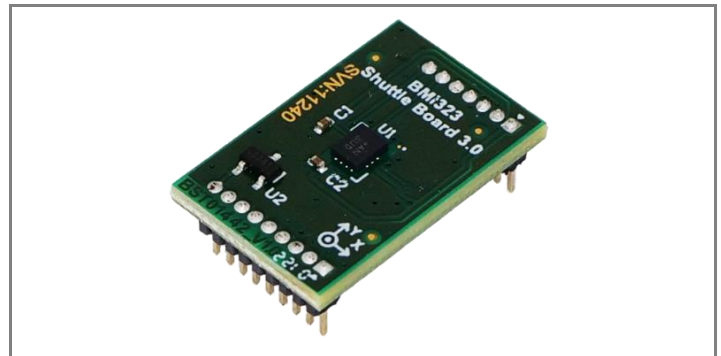


BMI323

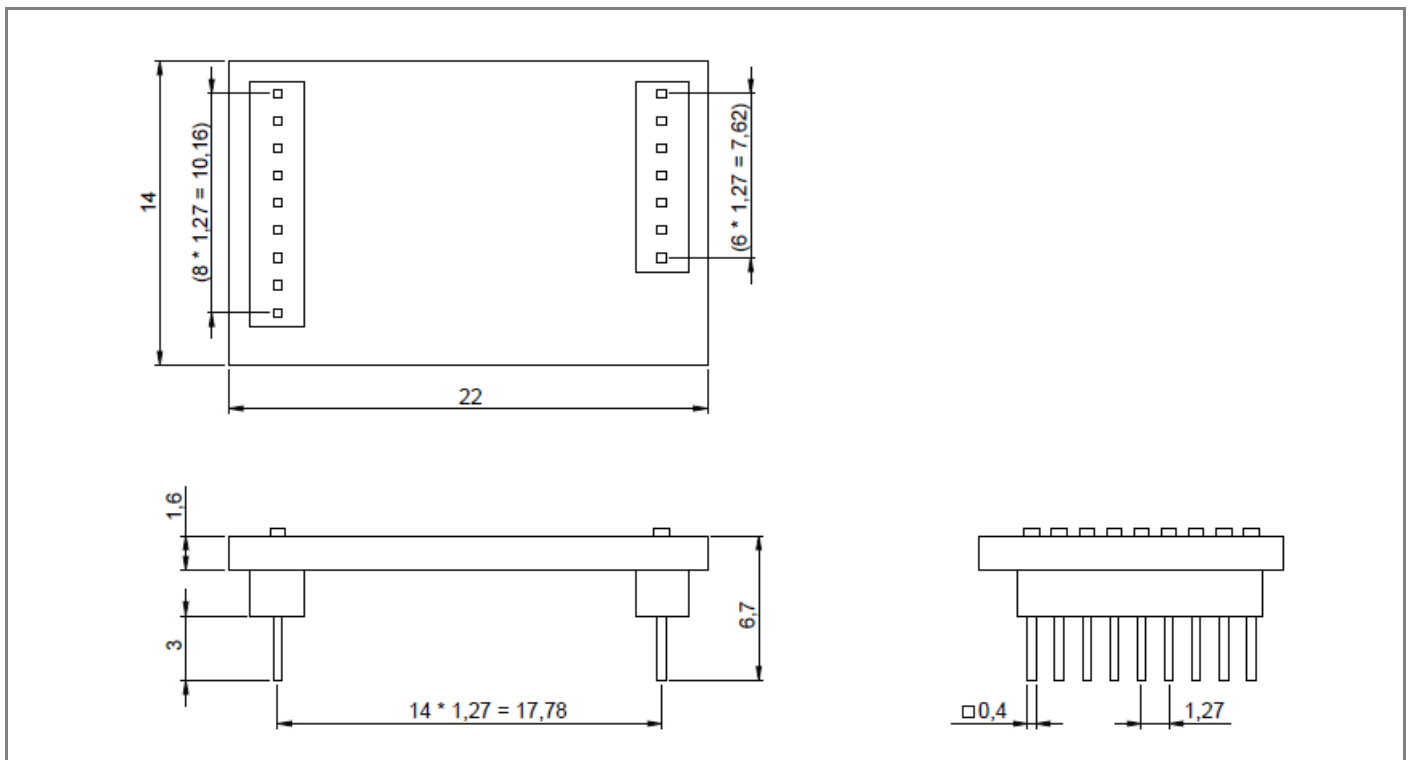
Shuttle board 3.0 flyer

GENERAL DESCRIPTION

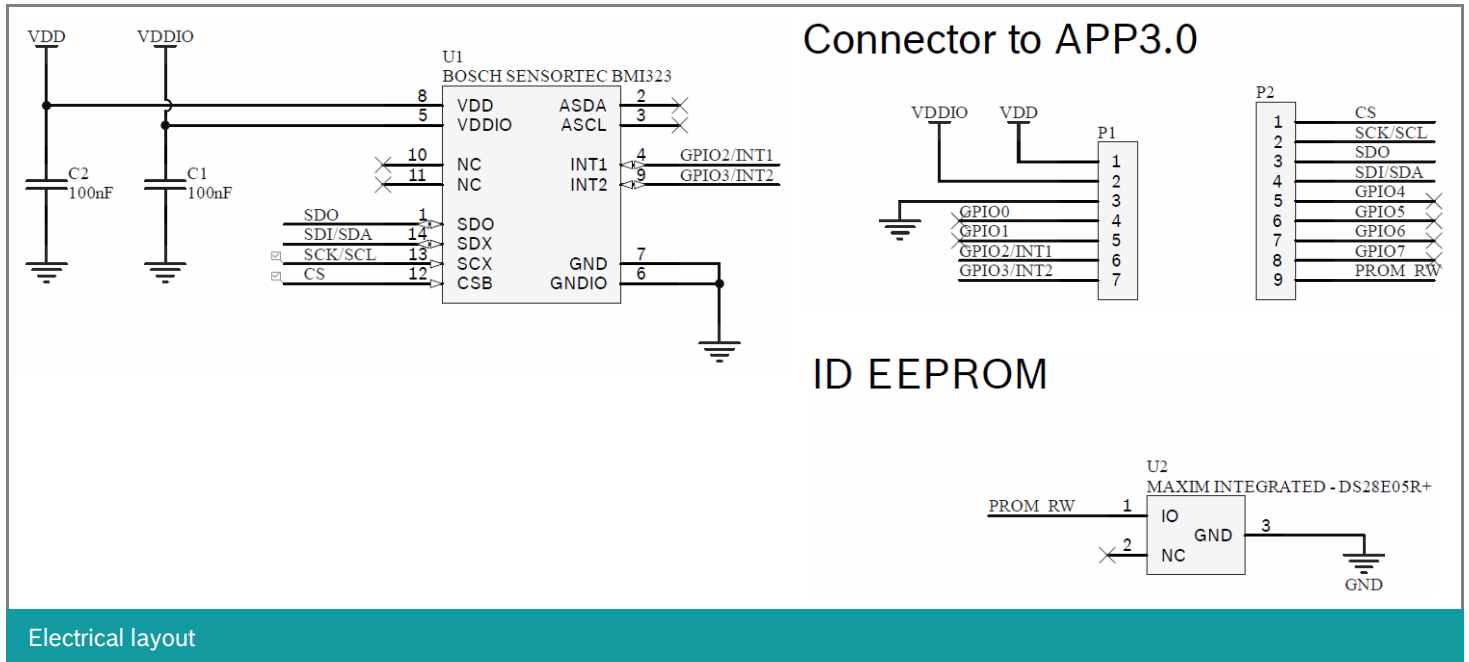
The Bosch Sensortec BMI323 shuttle board 3.0 is a PCB with the 6-axis Inertial Measurement Unit BMI323 mounted on it. In combination with the application board 3.0, the shuttle board can be used to evaluate various functionalities provided on BMI323. The shuttle board allows easy access to the sensor pins via a simple socket and can be directly plugged into the Bosch Sensortec's application board 3.0.



Note: product photo may differ from real product's appearance



Shuttle board outline dimensions (all dimensions in mm)



DESIGNATOR P1 SHUTTLE BOARD CONNECTOR

Pin	Pin name	Description
1	VDD	Analog power supply voltage (1.71V --- 3.63V)
2	VDDIO	Digital I/O power supply voltage (1.08V --- 3.63V)
3	GND	Ground
4	GPIO0	NC
5	GPIO1	NC
6	GPIO2/INT1	Interrupt pin 1
7	GPIO3/INT2	Interrupt pin 2

DESIGNATOR P2 SHUTTLE BOARD CONNECTOR

Pin	Pin name	Description
1	CS	Chip selection pin of SPI bus
2	SCK/SCL	Clock pin of SPI bus / clock pin of I2C bus
3	SDO	Sensor Data Out pin of SPI bus
4	SDI/SDA	Serial Data In pin of SPI bus / data pin of I2C bus
5	GPIO4	NC
6	GPIO5	NC
7	GPIO6	NC
8	GPIO7	NC
9	PROM_RW	Connect to EEPROM

Shuttle board identification:

- ▶ Shuttle ID: 0xA6
- ▶ Shuttle board identifier: BST01442

Headquarters
Bosch Sensortec GmbH
 Gerhard-Kindler-Strasse 9
 72770 Reutlingen · Germany
 Telephone +49 7121 3535 900
 Fax +49 7121 3535 909

www.bosch-sensortec.com