

BMF055 Shuttle Board

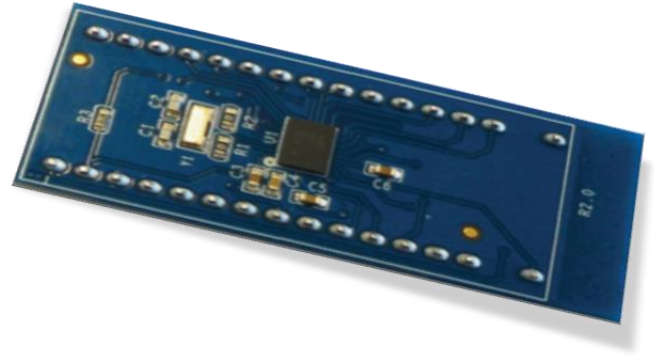
GENERAL DESCRIPTION

The BMF055 is an extension of the Application Specific Sensor Nodes (ASSN) family implementing a custom programmable 9 axis motion sensor which includes sensors and a microcontroller in a single package.

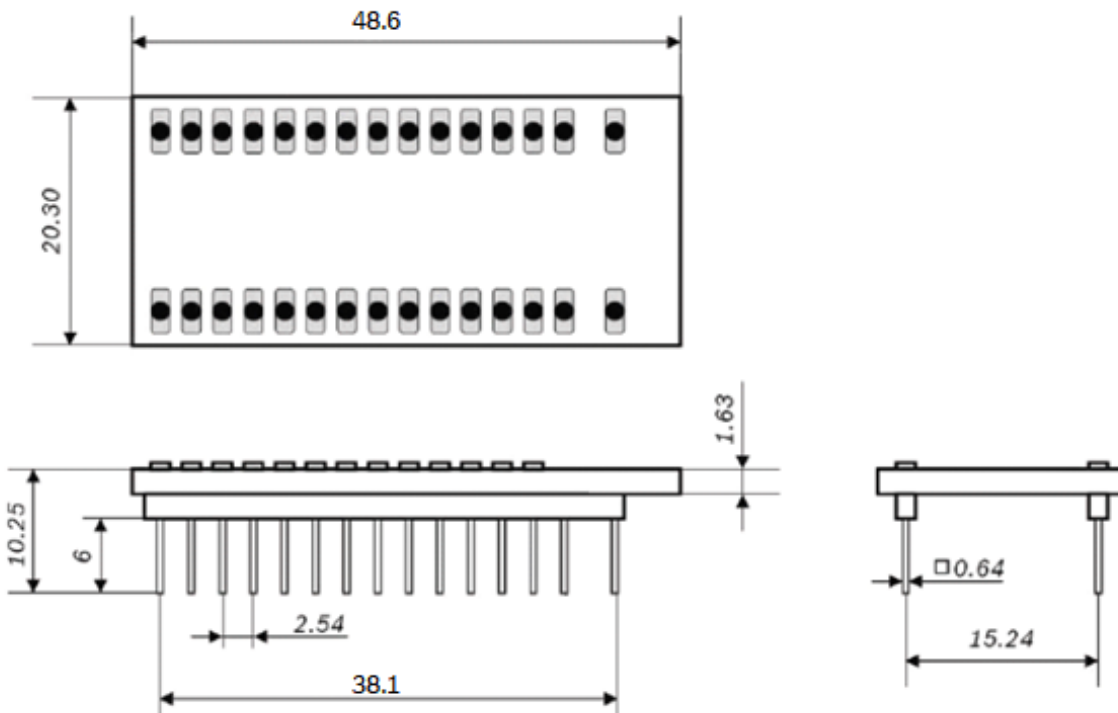
By integrating sensors and the microcontroller in a single device, the BMF055 eases the integration process for customers.

Moreover Bosch Sensortec also provides an additional Software Development Package which includes a precompiled BSX Lite fusion library with integration guidelines, API source files for individual sensors and example projects as a plugin for Atmel Studio ©. This enables the development of custom specific firmware for applications such as gaming, robotics, augmented reality or other industrial applications.

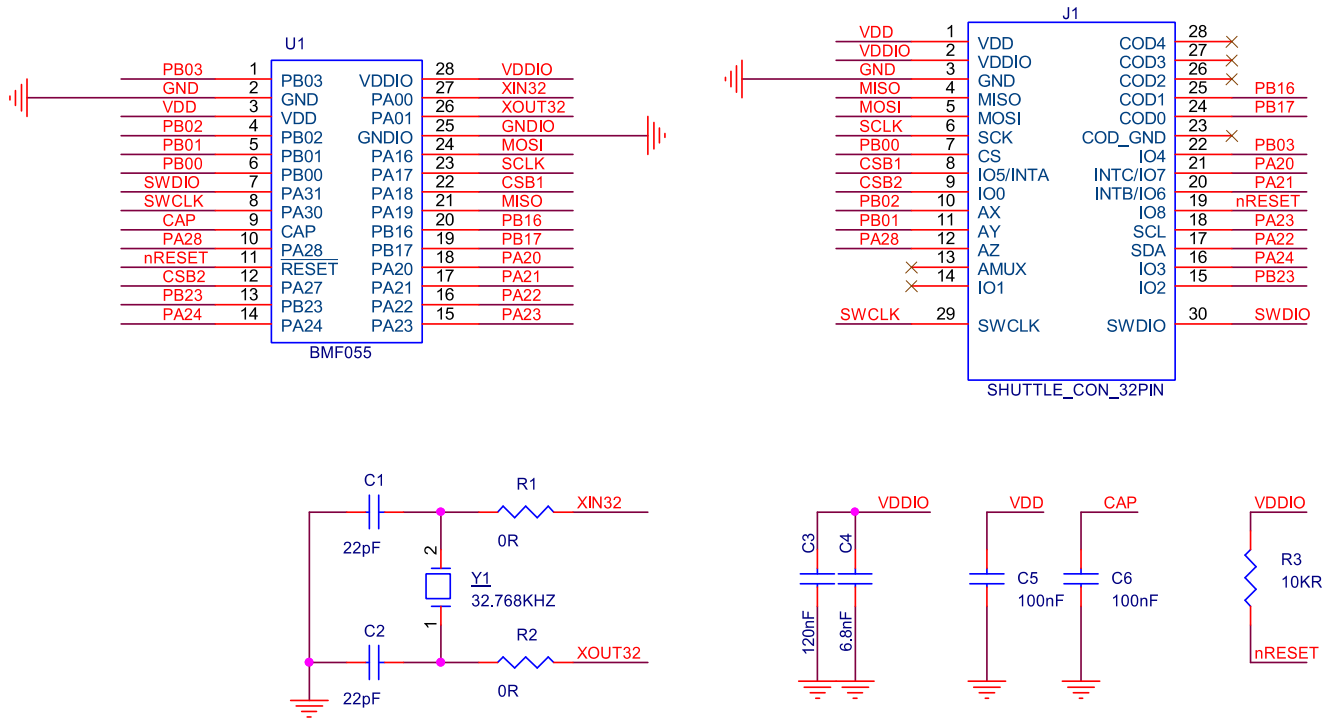
The shuttle board allows easy access to the sensor's pins via a simple socket. As all Bosch Sensortec sensor shuttle boards have identical footprint, they can be plugged into Bosch Sensortec's advanced development tools (e.g. the Development Board or Application Board).



Note: Product photo may differ from real product's appearance.



Shuttle board outline dimensions (all dimensions in mm)



BMF055 shuttle board schematic

Pin	Name	Description	Pin	Name	Description
1	VDD	VDD	16	PA24	GPIO
2	VDDIO	VDDIO	17	PA22	GPIO
3	GND	GND	18	PA23	GPIO
4	PA19/MISO	Internal SPI MISO	19	RESETN	Active Low Reset
5	PA16/MOSI	Internal SPI MOSI	20	PA21	GPIO
6	PA17/SCLK	Internal SPI SCLK	21	PA20	GPIO
7	PB00	GPIO	22	PB03/INT2	Internal interrupt 2/ GPIO
8	PA18/CS1	Internal SPI CS1	23	NC	Not connected
9	PA27/CS2	Internal SPI CS2	24	PB17	GPIO
10	PB02	GPIO	25	PB16	GPIO
11	PB01	GPIO	26	NC	Not connected
12	PA28	GPIO	27	NC	Not connected
13	NC	Not connected	28	NC	Not connected
14	NC	Not connected	29	PA30/SWCLK	Programming CLK
15	PB23/INT1	Internal interrupt 1/ GPIO	30	PA31/SWDIO	Programming IO

DELIVERABLES

- ▶ BMF055 shuttle board

Headquarters

Bosch Sensortec GmbH

Gerhard-Kindler-Strasse 9
 72770 Reutlingen · Germany
 Telephone +49 7121 3535 900
 Fax +49 7121 3535 909

www.bosch-sensortec.com