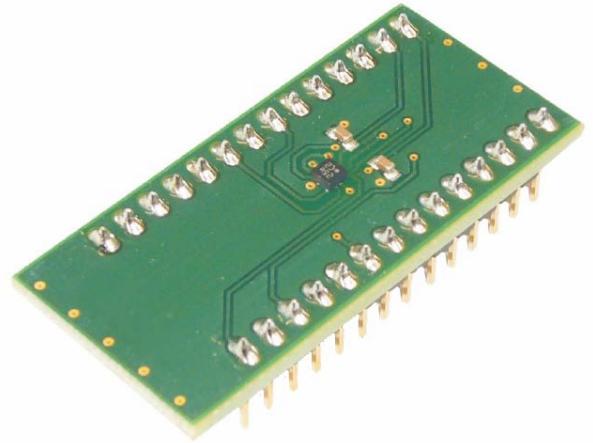


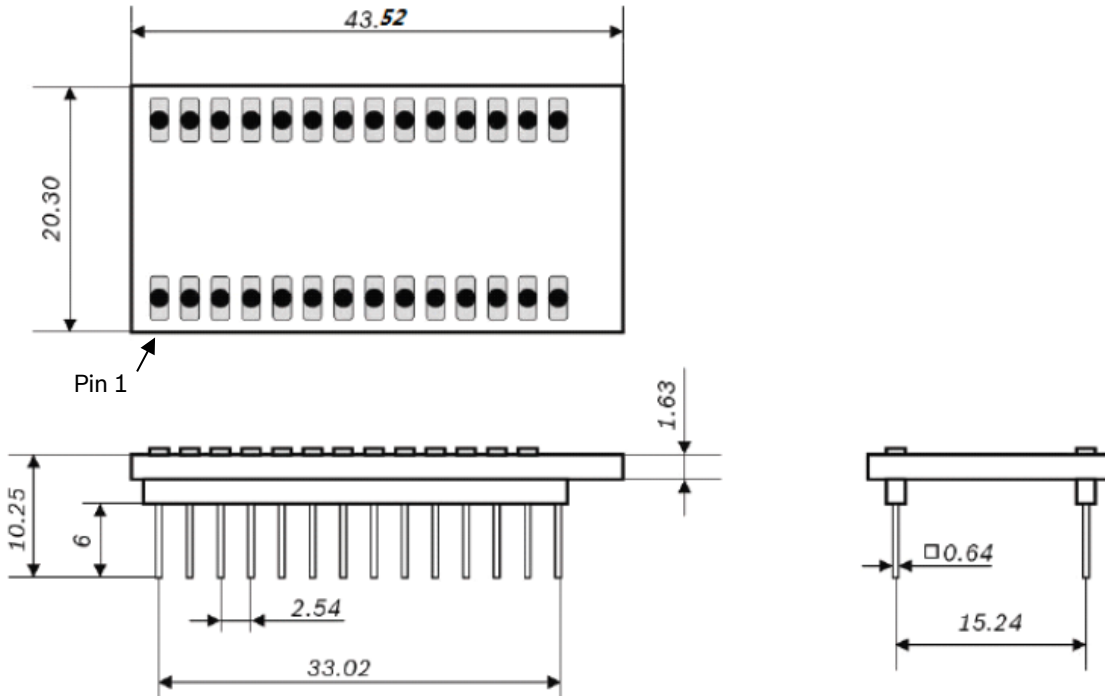
BMI090L Shuttle Board

GENERAL DESCRIPTION

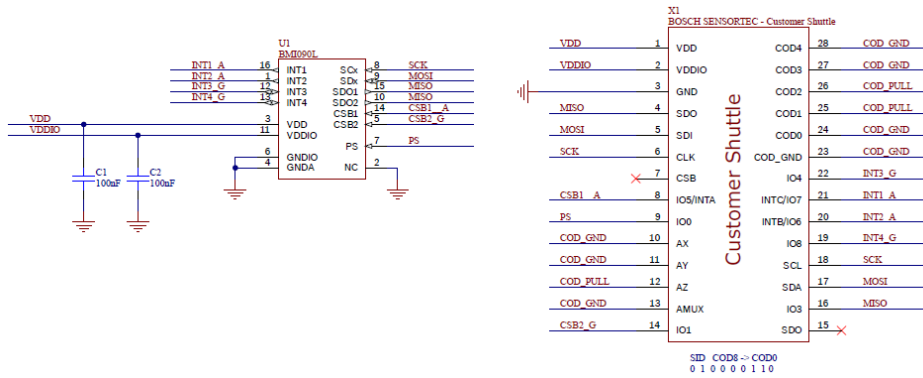
The Bosch Sensortec BMI090L shuttle board is a PCB with the longevity IMU, BMI090L Inertial Measurement Unit, mounted on it. The shuttle board allows easy access to IMU's pins via a simple socket. As all Bosch Sensortec sensor shuttle boards have identical footprint, they can be plugged into Bosch Sensortec's advanced development tools (e.g. the Development Board or Application Board).



Note: Product photo may differ from real product's appearance.



Shuttle board outline dimensions (all dimensions in mm)



BMI090L shuttle board schematic

NOTES

- ▶ The COD_GND and COD_PULL pins are pins connected to VDD or GND and are used to identify the shuttle board on the Application Board if used together with the DevelopmentDesktop2.0 evaluation software (SID = shuttle board ID).
- ▶ The naming of the signals differs slightly from the datasheet: for some signals, ‘_A’ or ‘_G’ was added to help the user to assign the signals to the accelerometer or gyro more easily.

DELIVERABLES

- ▶ BMI090L shuttle board

Headquarters

Bosch Sensortec GmbH

Gerhard-Kindler-Strasse 9
 72770 Reutlingen · Germany
 Telephone +49 7121 3535 900
 Fax +49 7121 3535 909

www.bosch-sensortec.com