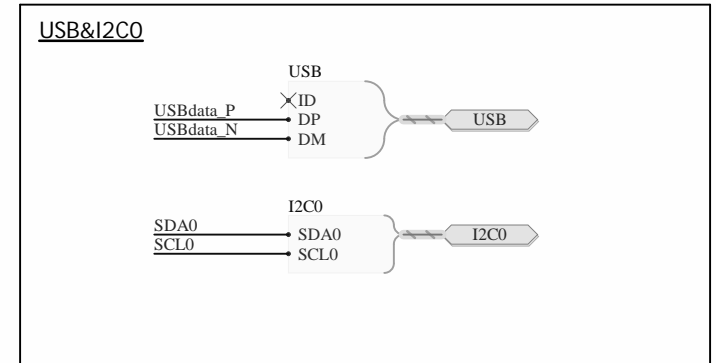
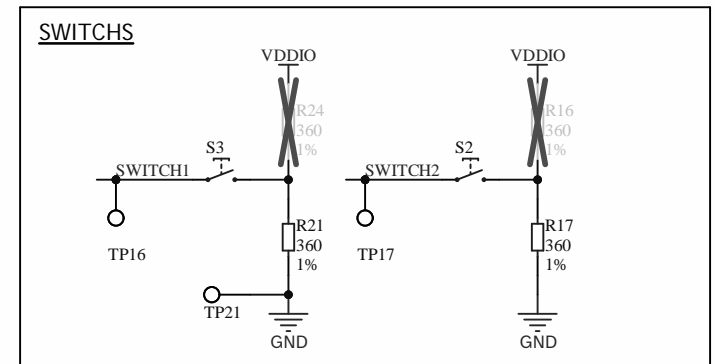
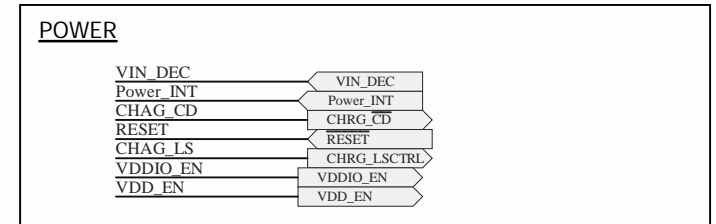
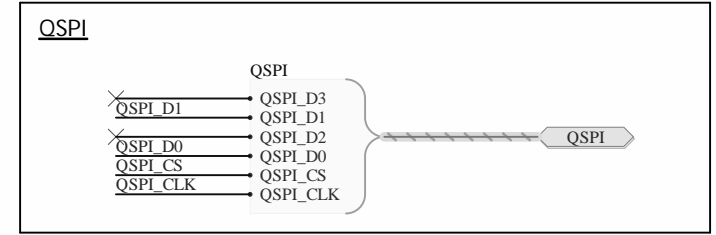
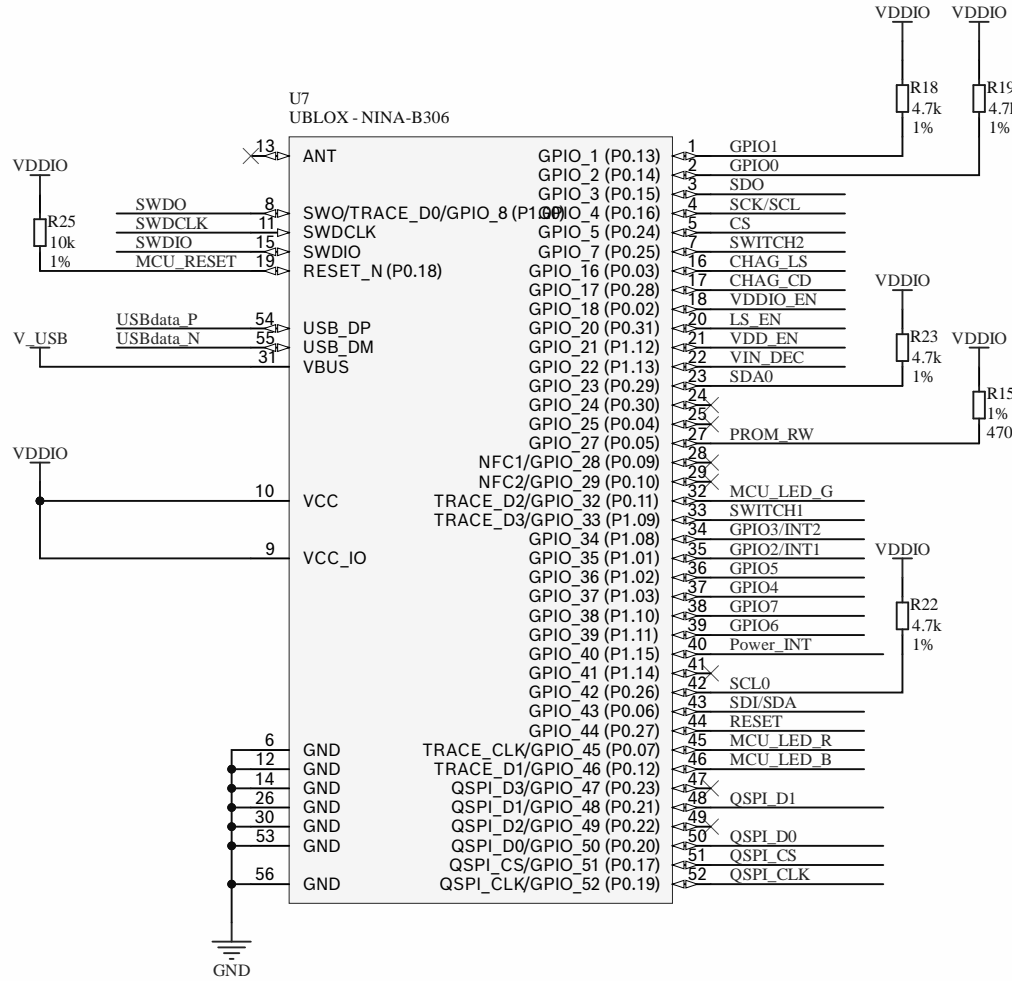
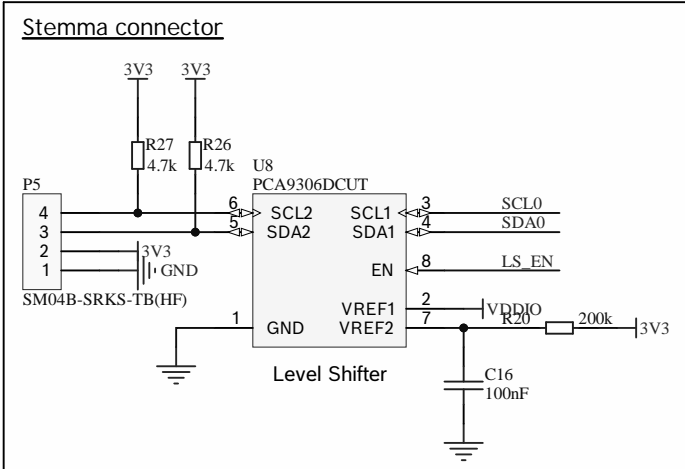
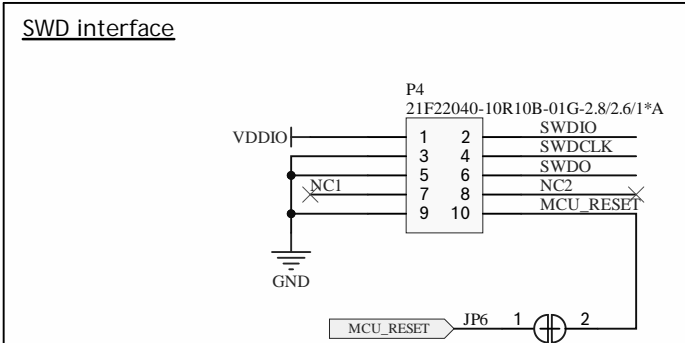
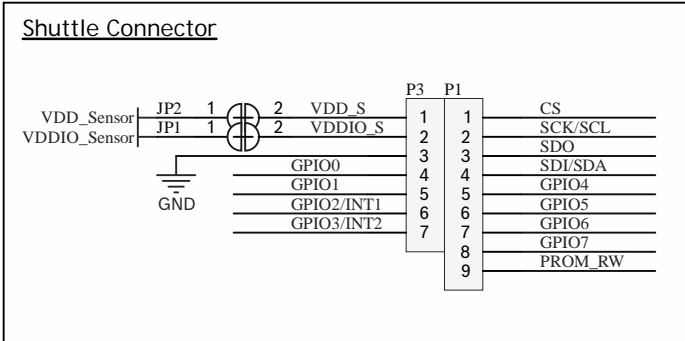
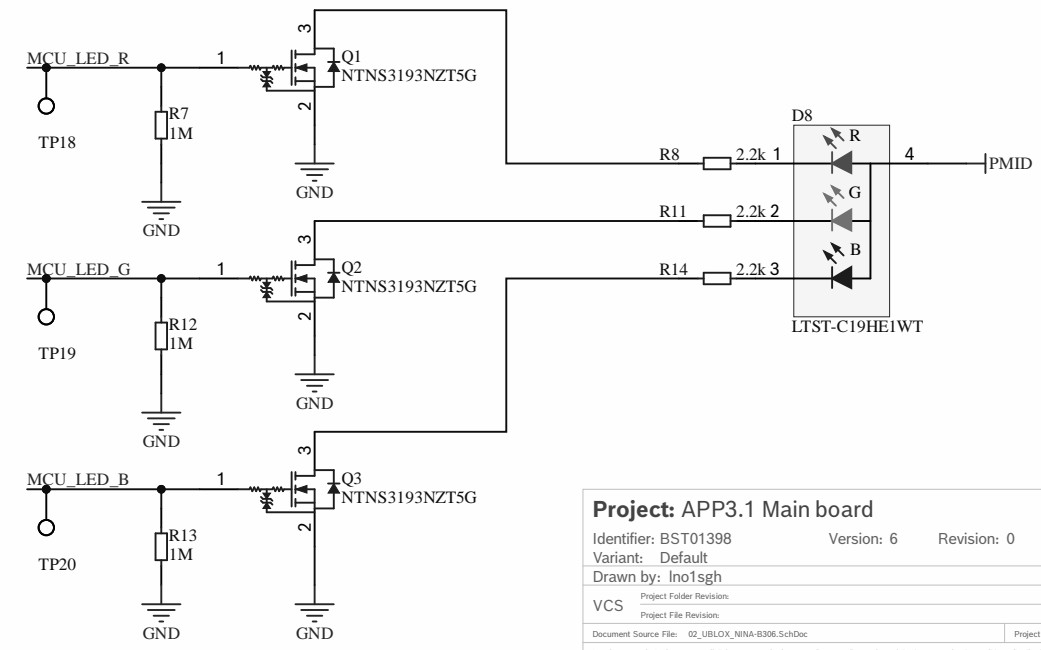
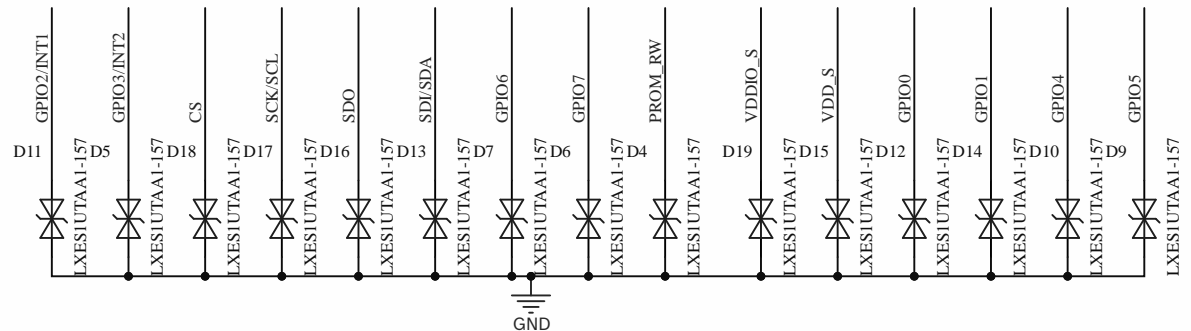


Project: APP3.1 Main board			
Identifier: BST01398	Version: 6	Revision: 0	
Variant: Default	Sheet: 1 / 6		
Drawn by: Ino1sgh	Size: A4		
VCS	Project Folder Revision:	Release: 20.02.2022	
Document Source File: 01_TopLevel.SchDoc	Project File Revision:	Plot Date: 12/15/2023	
Project Source File: BST01398_APP3.1 Board.PnP/PCB		Plot Time: 1:09:03 PM	
© Robert Bosch GmbH . All rights reserved, also regarding any disposal, exploitation, reproduction, editing, distribution, as well as in the event of applications for industrial property rights.			



<-- esd protection diodes for "BST - Shuttleboard-conn." -->



Project: APP3.1 Main board

Identifier: BST01398 Variant: Default Drawn by: lno1sg

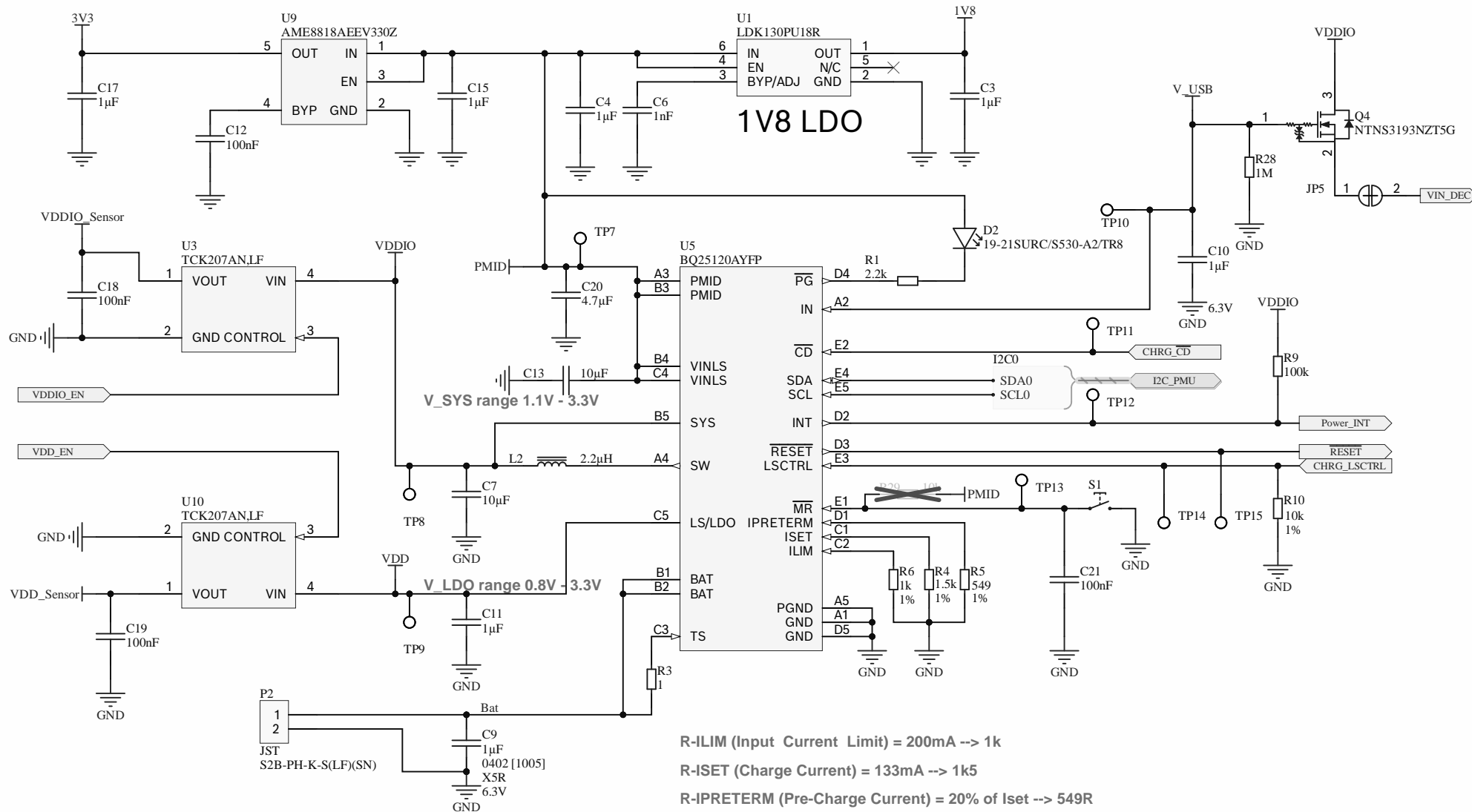
Version: 6 Revision: 0

Sheet: 2 / 6 Size: A3 Release: 20.02.2022 Plot Date: 12/15/2023 Plot Time: 1:09:03 PM

VCS Project Folder Revision: Project File Revision:

Document Source File: 02_UBLOX_NINA-B306.SchDoc Project Source File: BST01398_APP3.1 Board.PcbPCB

© Robert Bosch GmbH. All rights reserved, also regarding any disposal, exploitation, reproduction, editing, distribution, as well as in the event of applications for industrial property rights.



Project: APP3.1 Main board

Identifier: BST01398
 Variant: Default

Version: 6 Revision: 0

Drawn by: Ino1sg

Sheet: 3 / 6
 Size: A4

Release: 20.02.2022

Plot Date: 12/15/2023

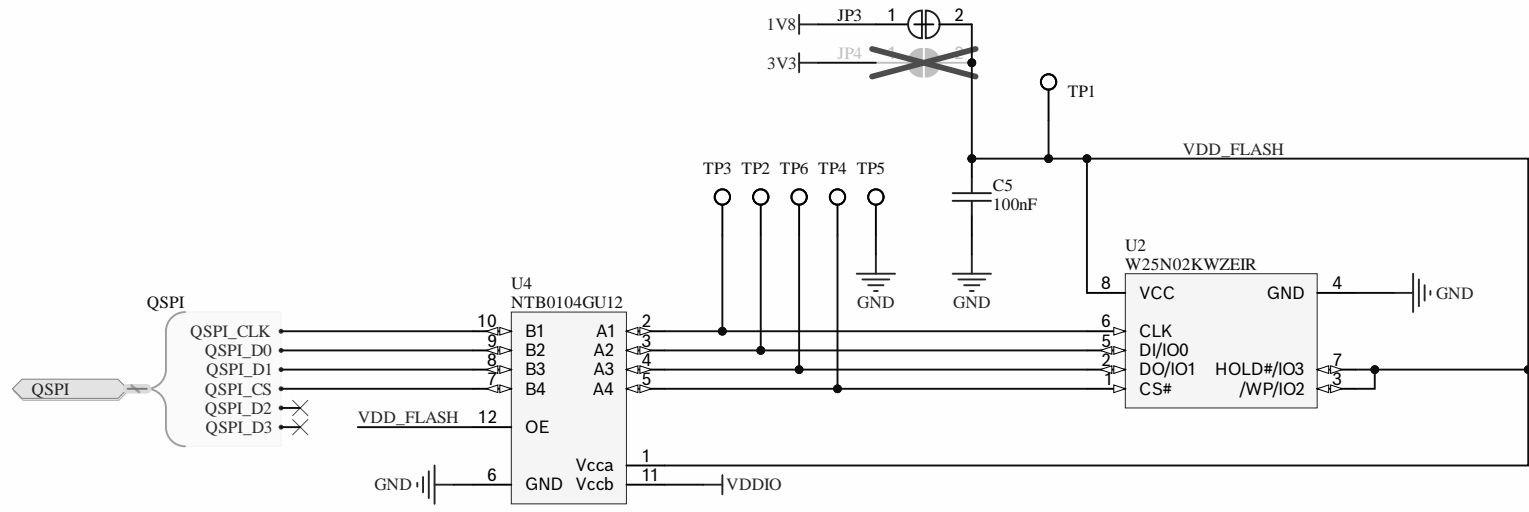
Plot Time: 1:09:04 PM

VCS
 Project Folder Revision:
 Project File Revision:

Document Source File: 03_Power.SchDoc

Project Source File: BST01398_APP3.1 Board.PdfPCB





Project: APP3.1 Main board			
Identifier: BST01398	Version: 6	Revision: 0	Sheet: 4 / 6
Variant: Default			Size: A4
Drawn by: Ino1sgH			Release: 20.02.2022
VCS	Project Folder Revision:		Plot Date: 12/15/2023
	Project File Revision:		Plot Time: 1:09:04 PM
Document Source File: O4_FLASH MEMORY.SchDoc	Project Source File: BST01398_APP3.1 Board.PnP/PCB		
© Robert Bosch GmbH . All rights reserved, also regarding any disposal, exploitation, reproduction, editing, distribution, as well as in the event of applications for industrial property rights.			



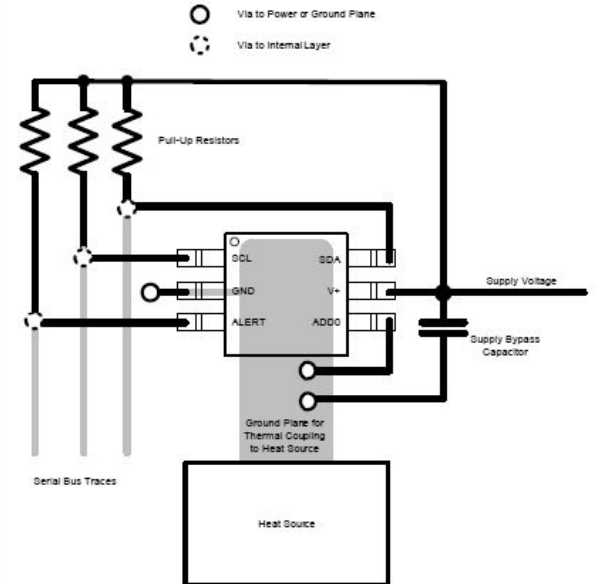
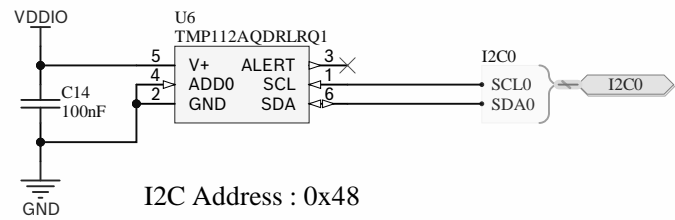

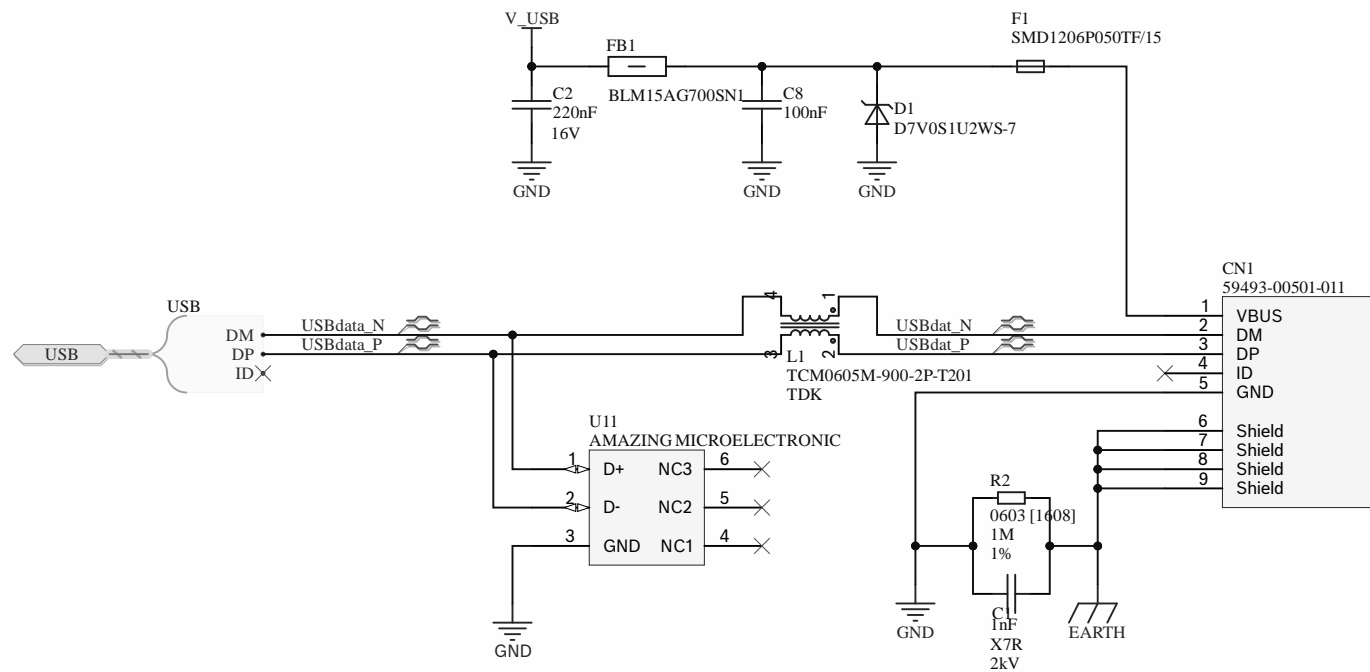


Figure 20. Layout Example

Project: APP3.1 Main board		Sheet: 5 / 6		 Invented for life		
Identifier:	BST01398	Version:	6		Release:	20.02.2022
Variant:	Default	Revision:	0		Plot Date:	12/15/2023
Drawn by:	Ino1sgh	Plot Time:	1:09:04 PM			
VCS	Project Folder Revision:	Project Source File:	BST01398_APP3.1 Board.PnP/PCB			
	Project File Revision:	Document Source File:	05_Temperature_sensor.SchDoc			
© Robert Bosch GmbH . All rights reserved, also regarding any disposal, exploitation, reproduction, editing, distribution, as well as in the event of applications for industrial property rights.						



Project: APP3.1 Main board

Identifier: BST01398 Version: 6 Revision: 0
 Variant: Default
 Drawn by: Ino1sgh
 VCS Project Folder Revision:
 Project File Revision:

Sheet: 6 / 6
 Size: A4
 Release: 20.02.2022
 Plot Date: 12/15/2023
 Plot Time: 1:09:04 PM



Document Source File: 06_USB-Con.SchDoc Project Source File: BST01398_APP3.1 Board.PnP/PCB